

1978 High Back Sofa Assembly | User Guide





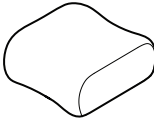

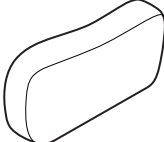
Product Care

Two people required for safe assembly

Opening Boxes: DO NOT use a knife to open the packaging as you may damage your furniture. Peel-off the tape, then lift and separate the cardboard flaps to open.

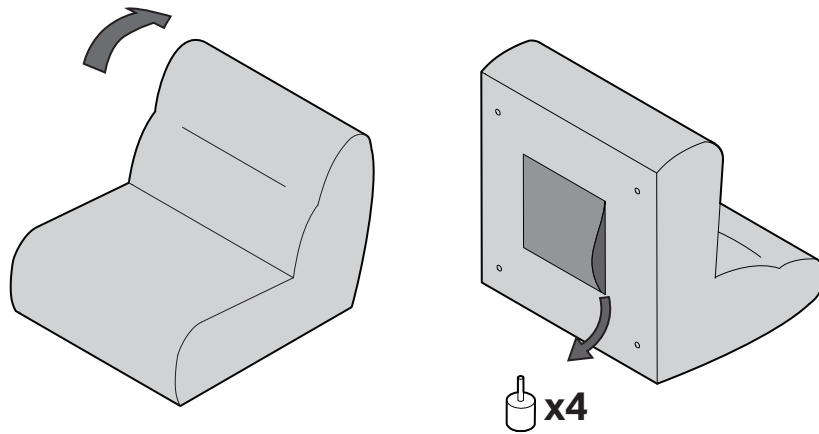
Please follow these Assembly | User Guide Instructions



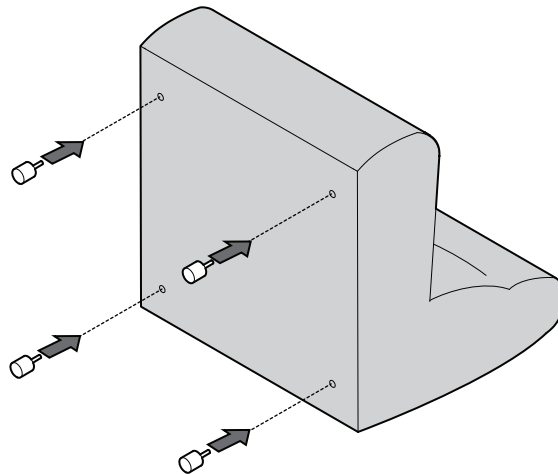
Assembly	3
Recovering Instructions		
Chair Chaise 2-Seater	 4
Curve	 11
Ottoman	 16
Arm Installation		
Arm	 18
Wide Arm	 21

Assembly

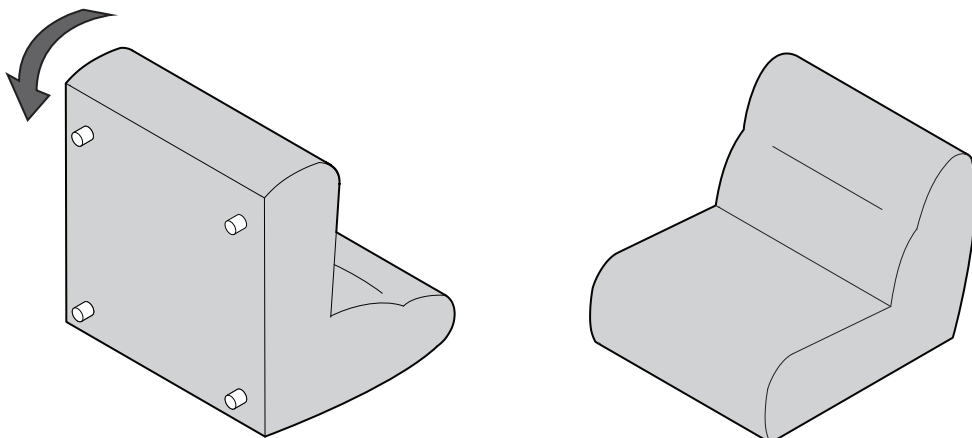
1



2



3



1978 High Back Sofa

Cover Removal & Installation | User Guide



Two people required for safe assembly

Opening Boxes: DO NOT use a knife to open the packaging as you may damage your furniture. Peel-off the tape, then lift and separate the cardboard flaps to open.

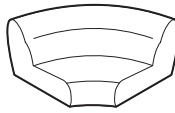
Please follow these **Assembly | User Guide Instructions**

Product Care

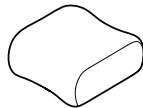
See Instruction Steps: Chair | Chaise | 2-Seater



See Instruction Steps: Curve

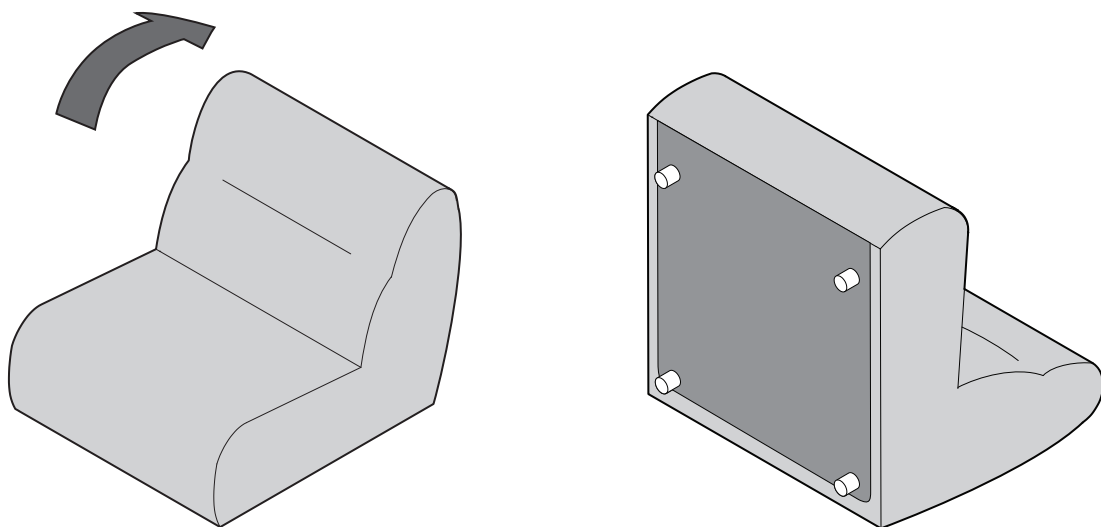


See Instruction Steps: Ottoman

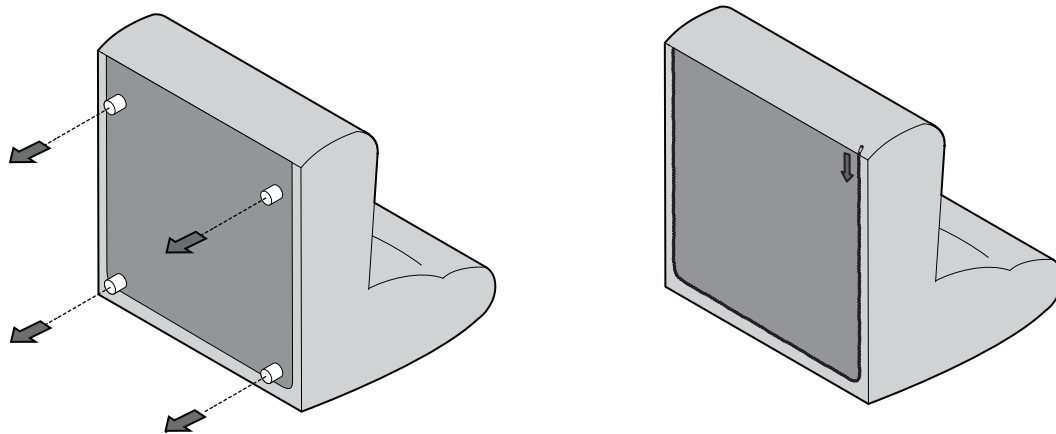


Cover Removal: Chair | Chaise | 2-Seater

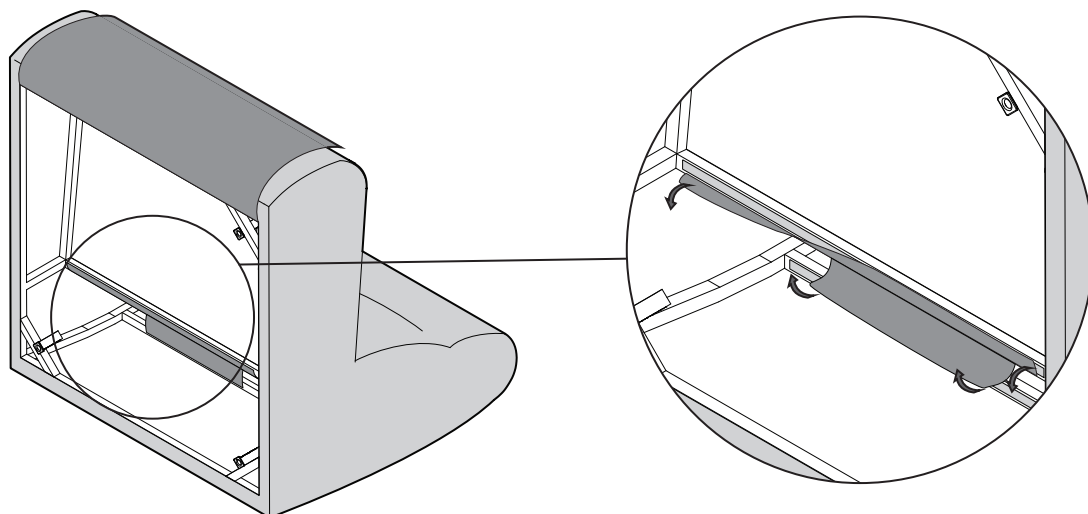
1



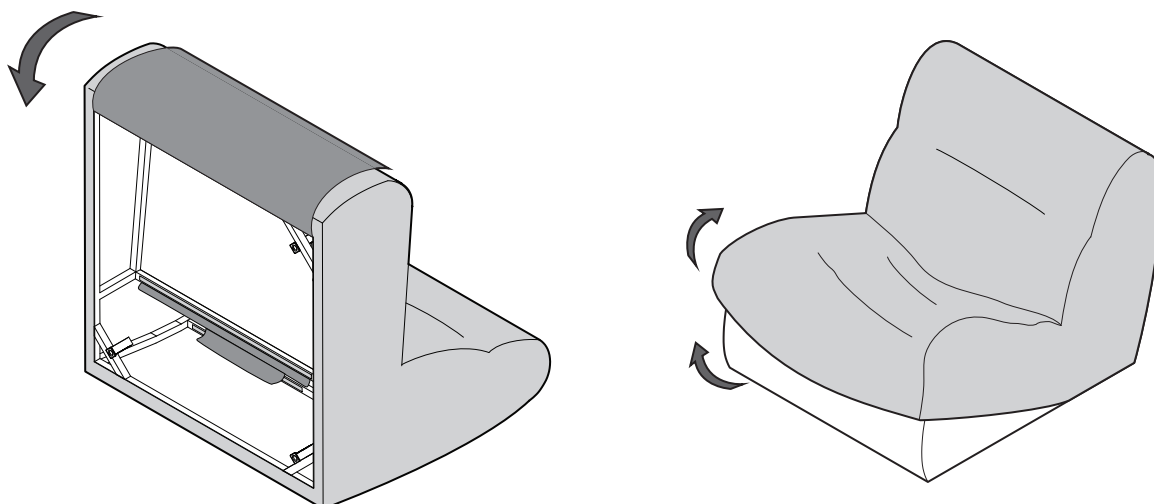
2



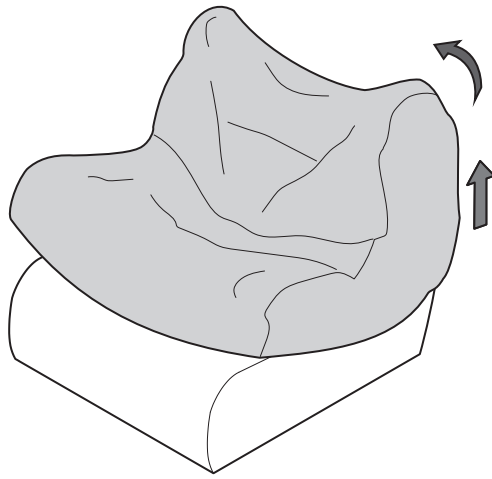
3



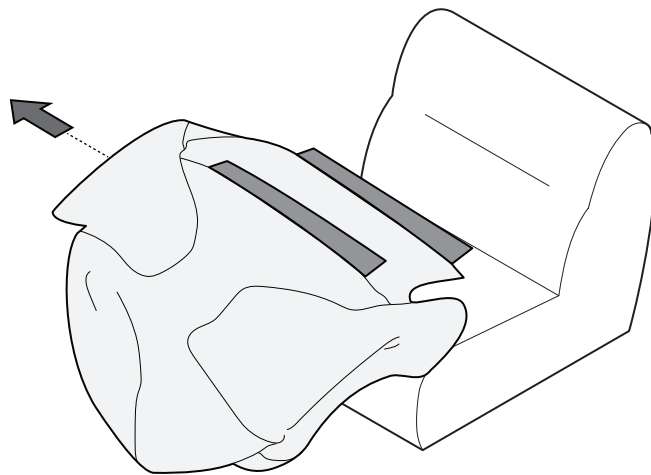
4



5

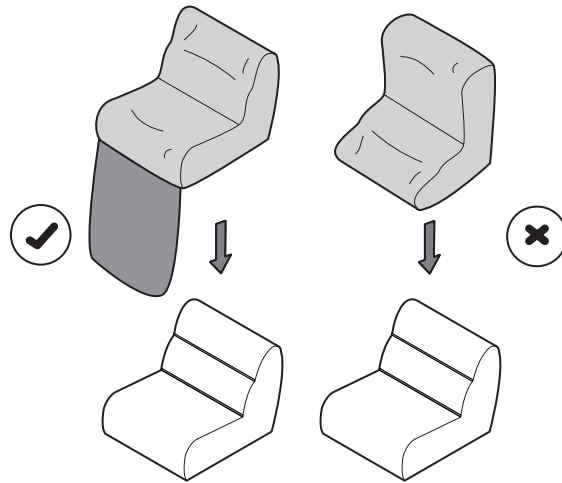


6



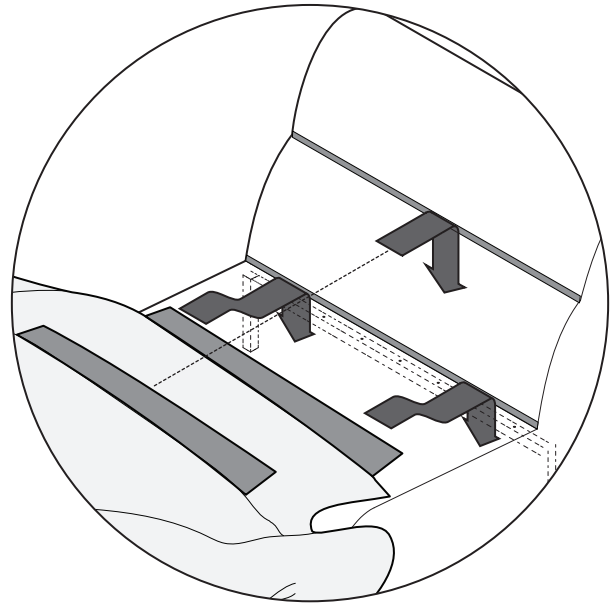
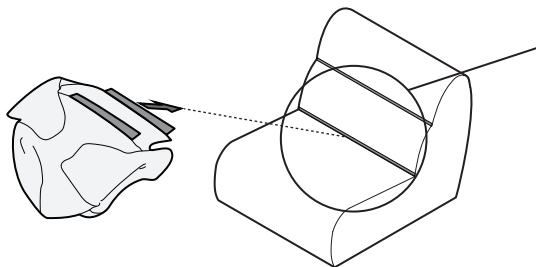
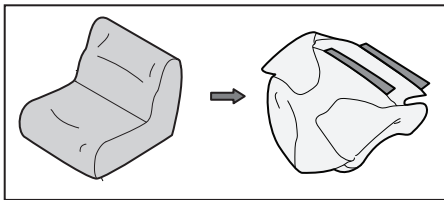
Cover Installation: Chair | Chaise | 2-Seater

1

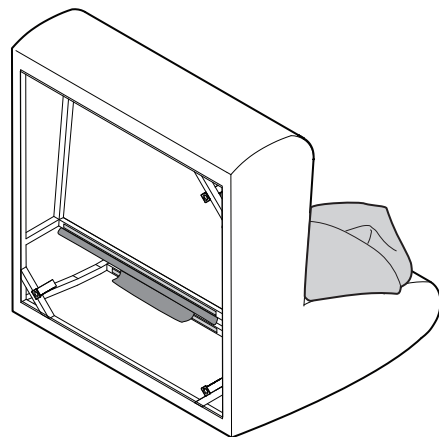
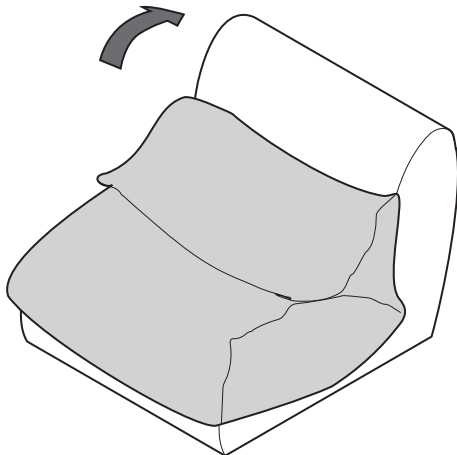


Line up side panels of cover and module before applying cover

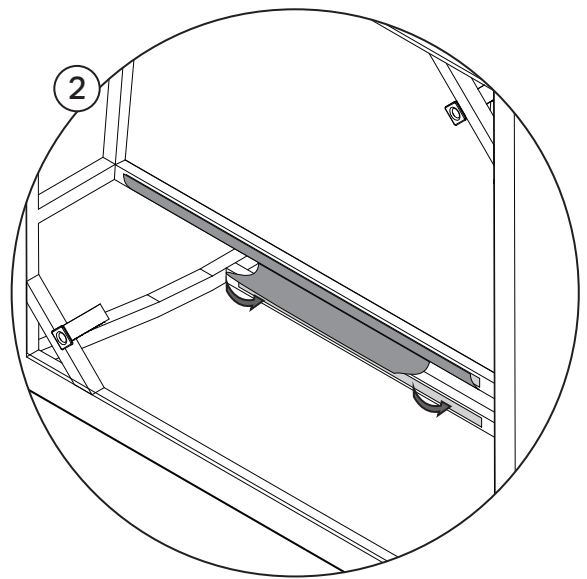
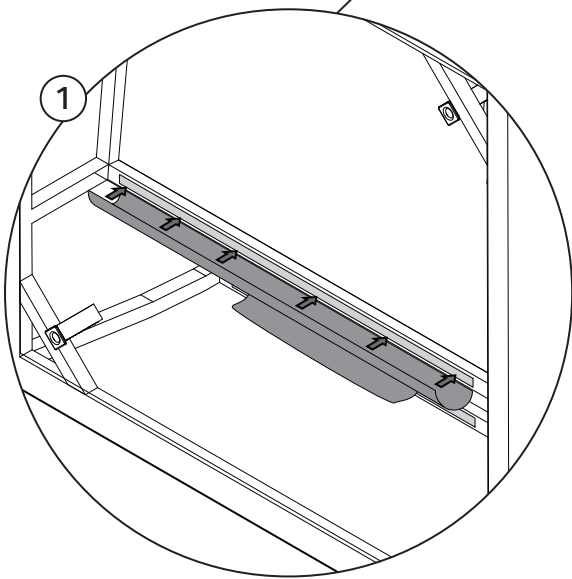
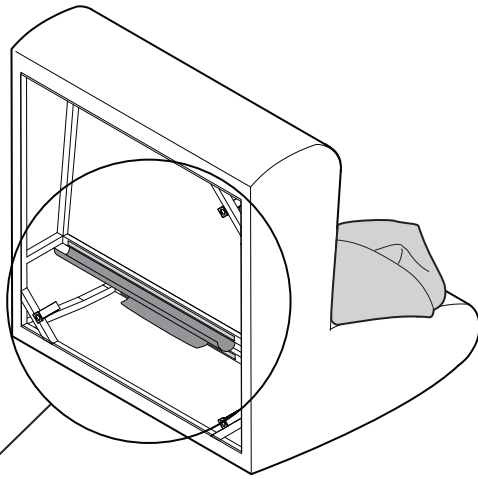
2



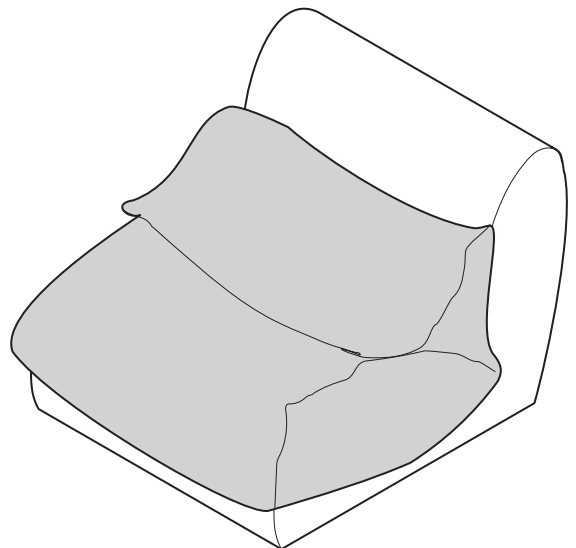
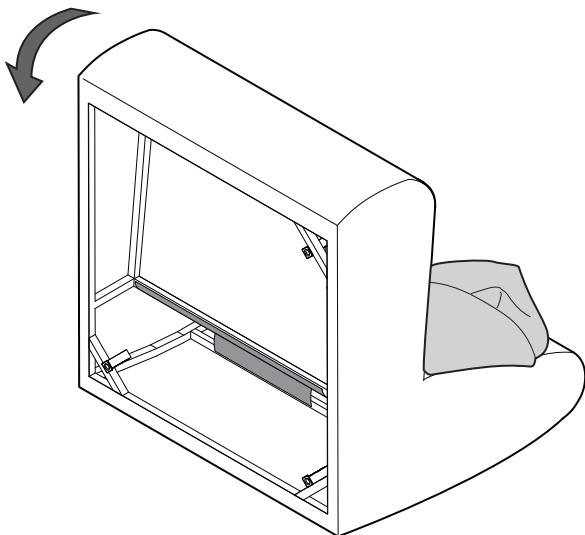
3



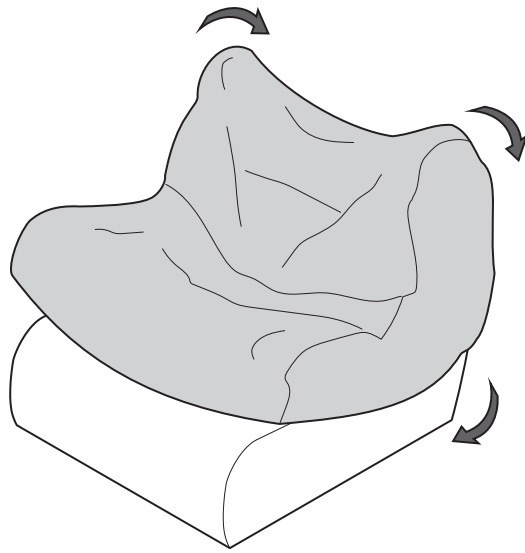
4



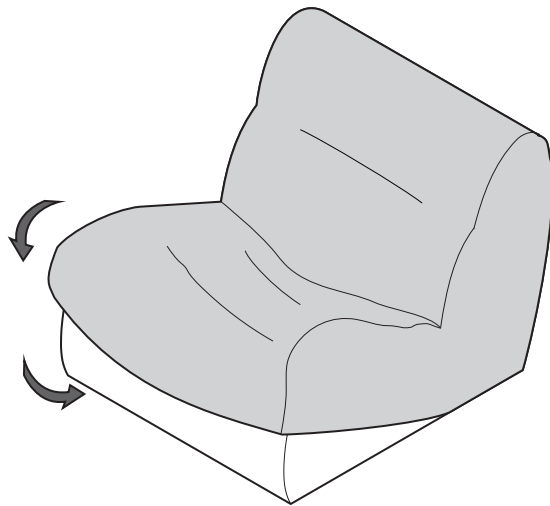
5



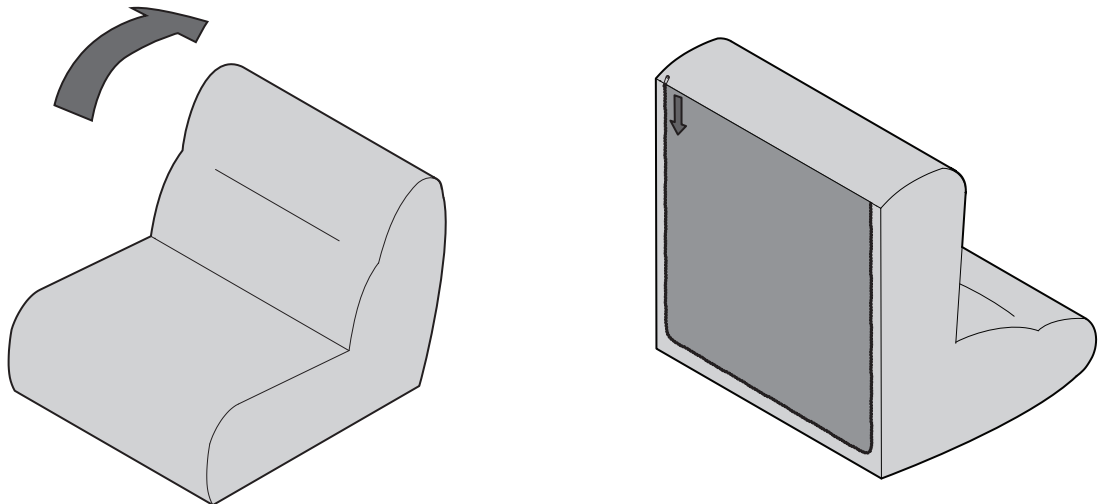
6



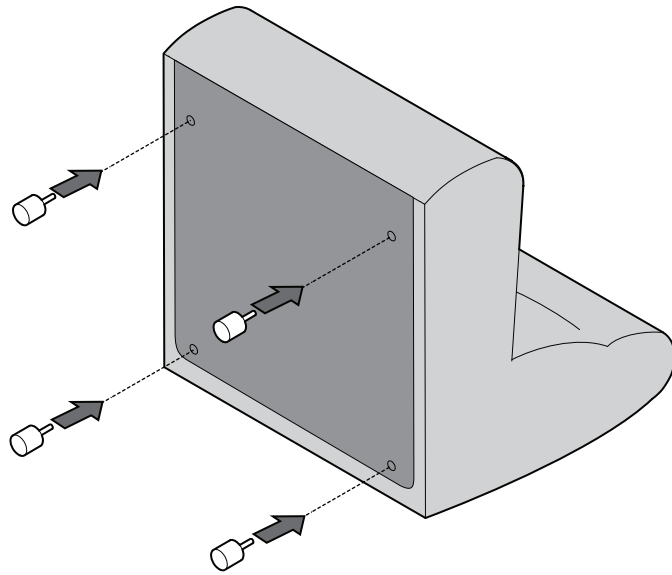
7



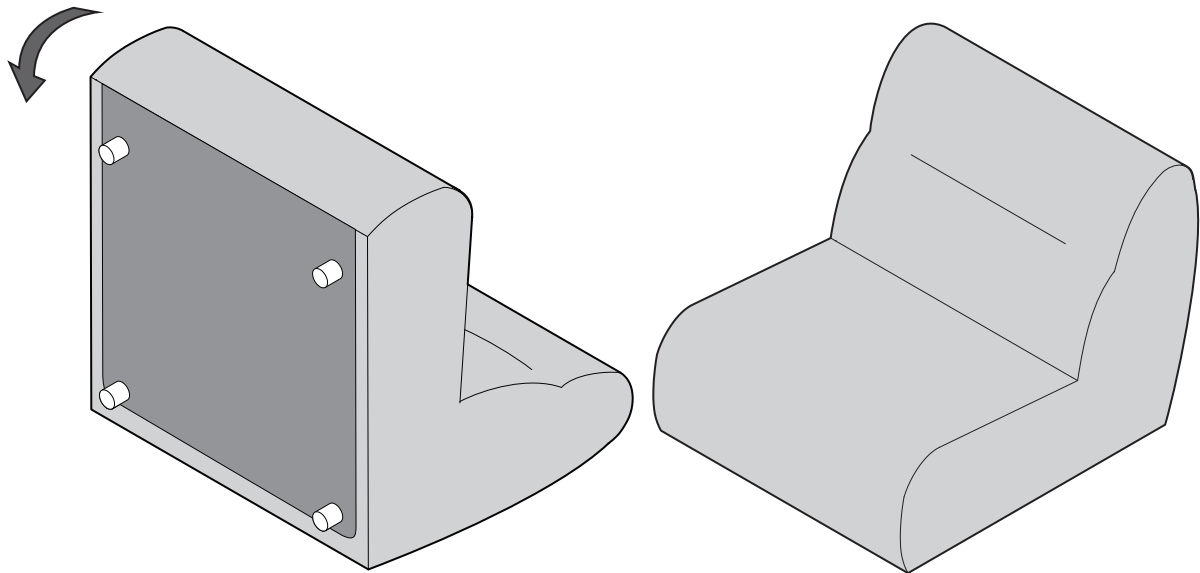
8



9

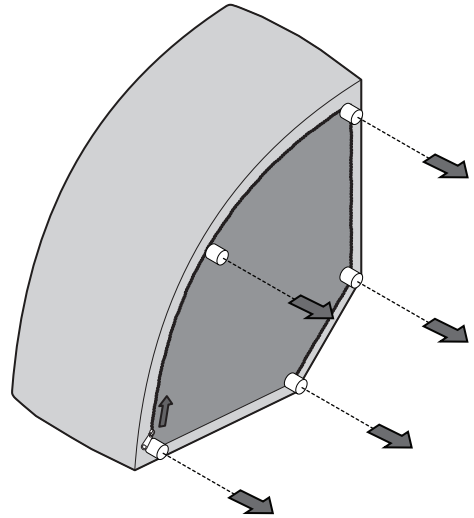
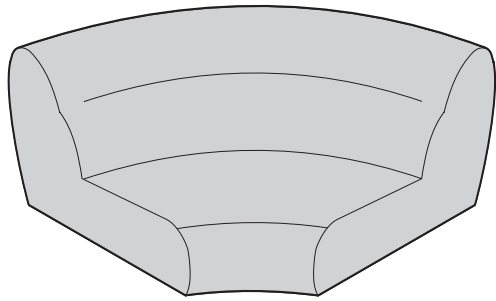


10

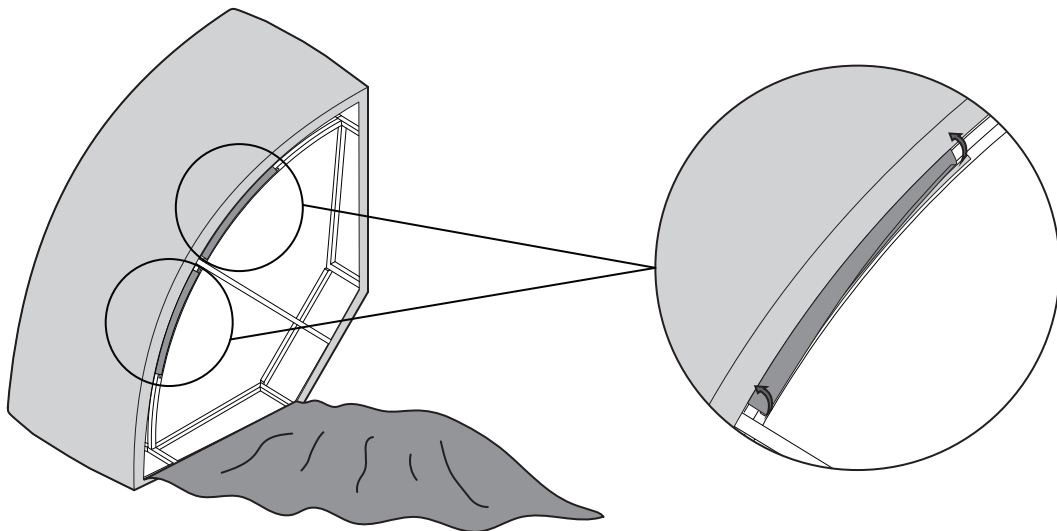


Cover Removal: Curve

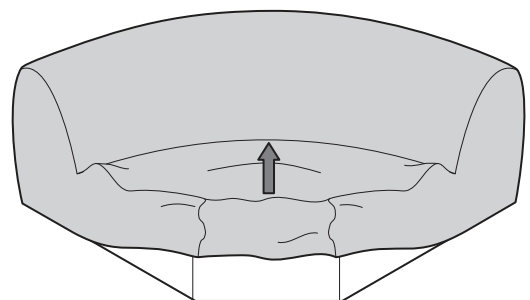
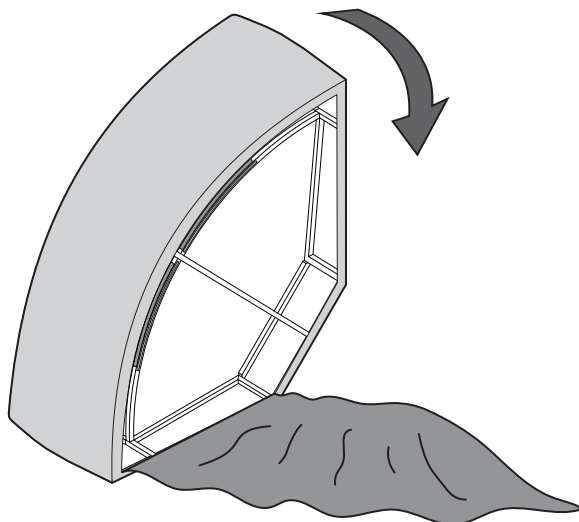
1



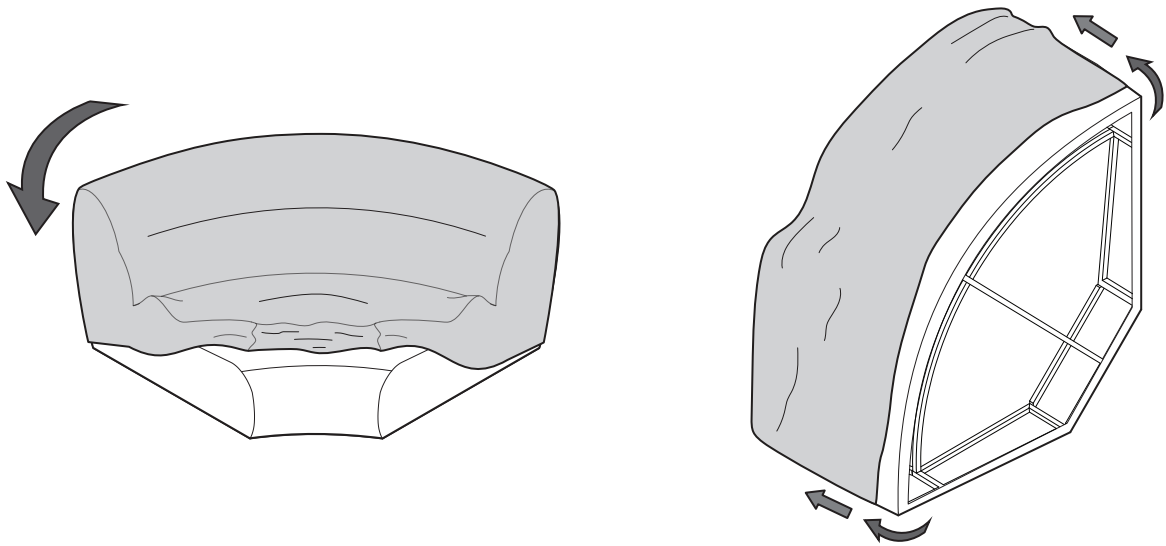
2



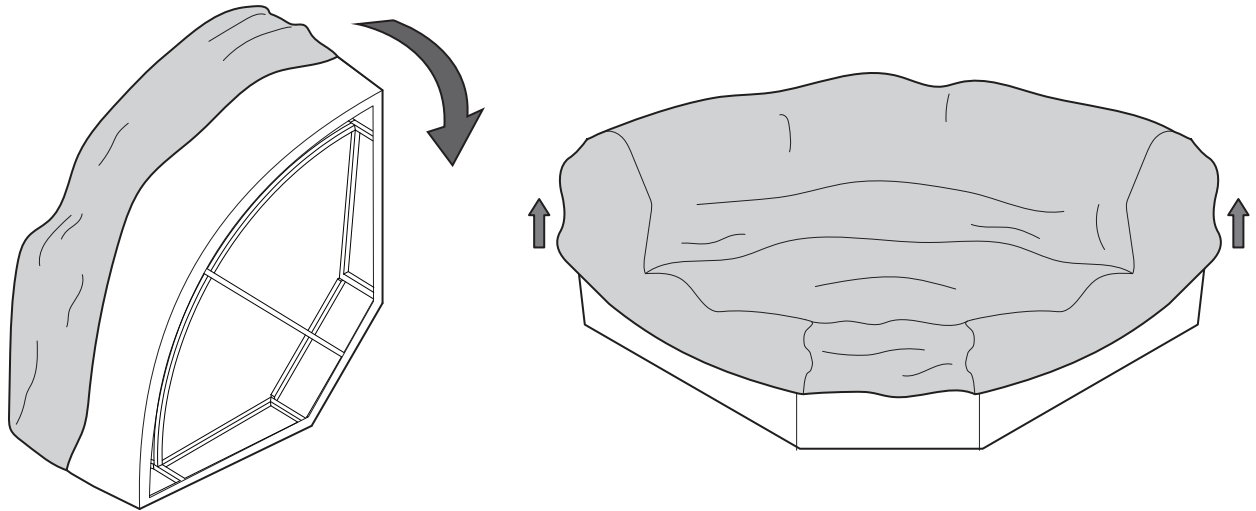
3



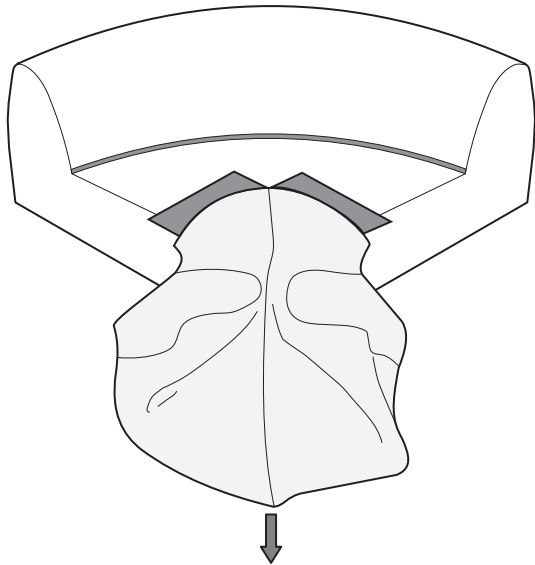
4



5

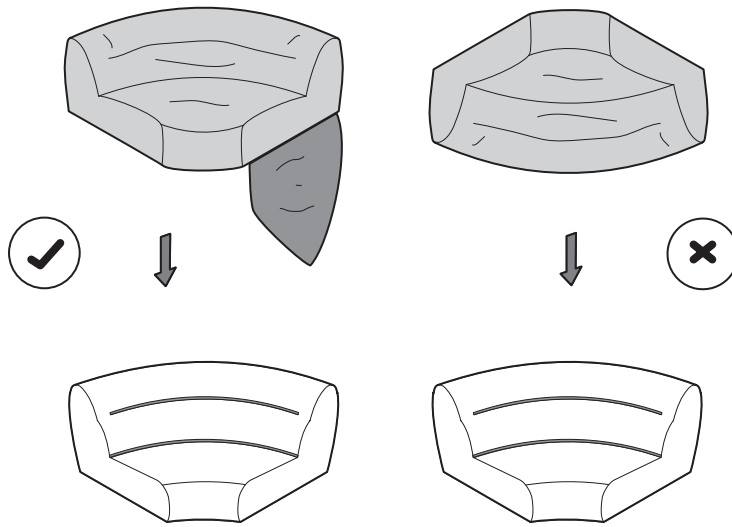


6



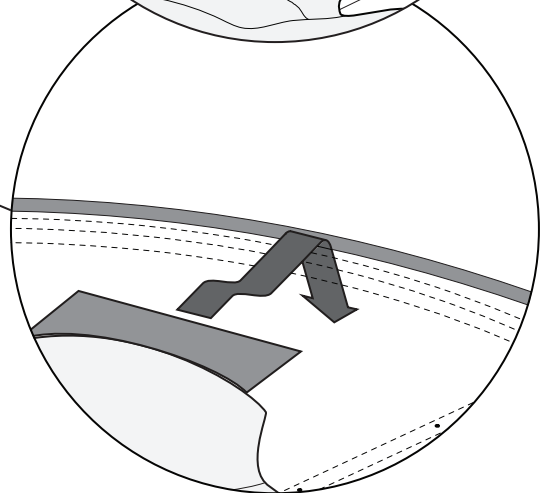
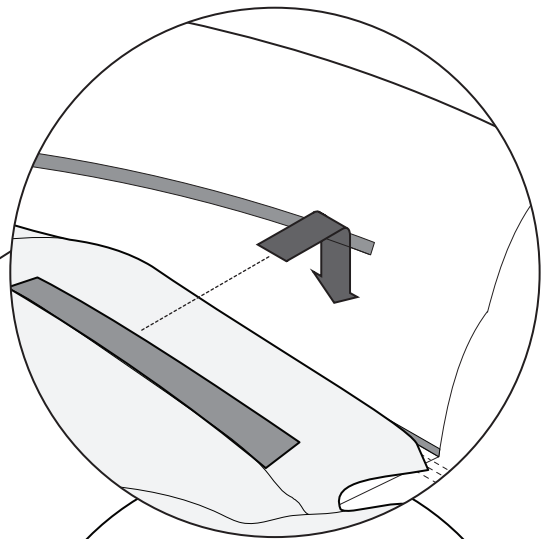
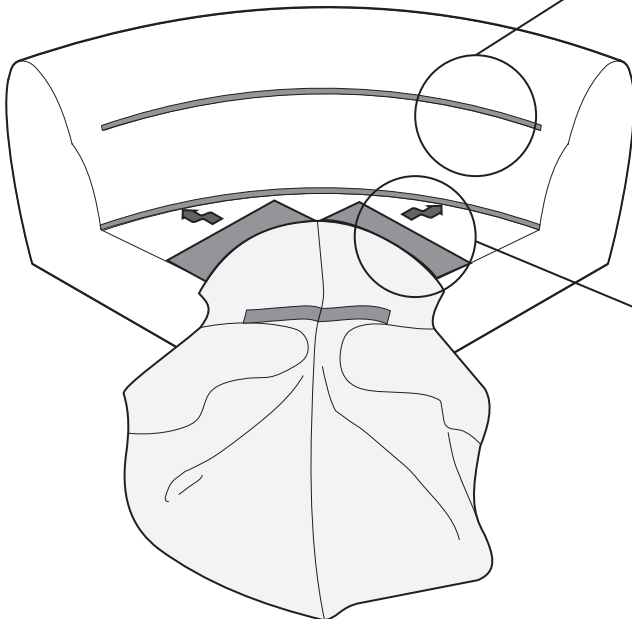
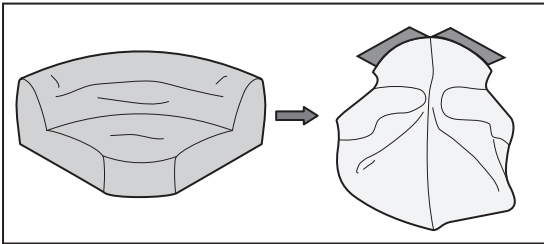
Cover Installation: Curve

1

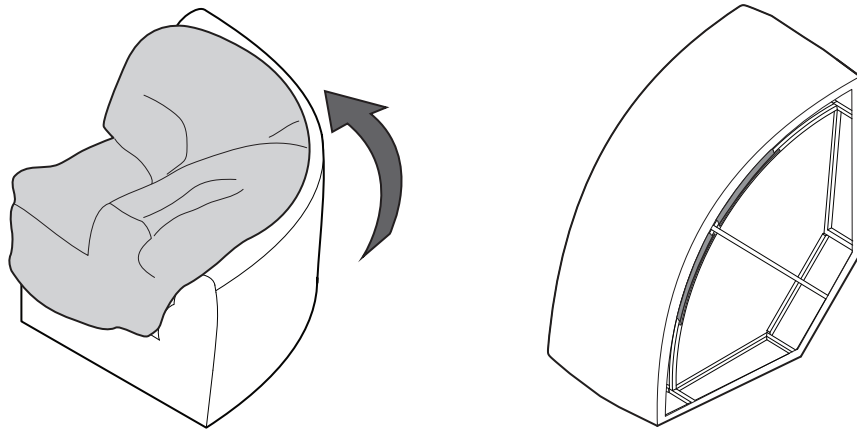


Line up side panels of cover and module before applying cover

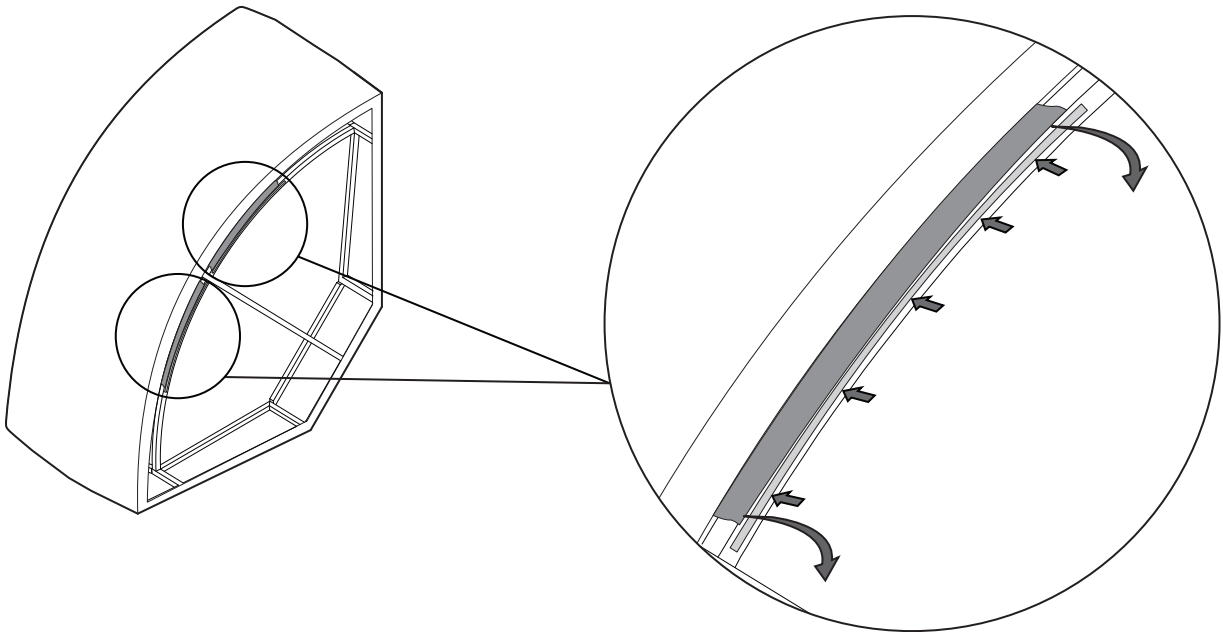
2



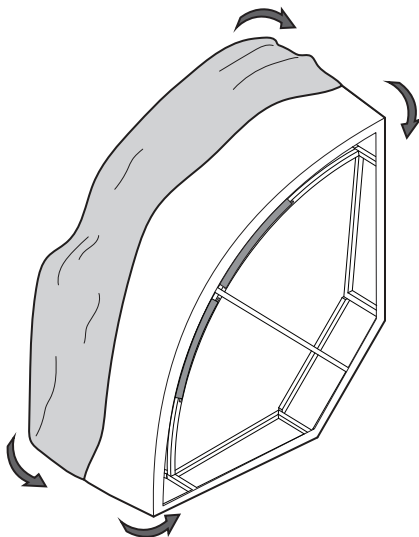
3



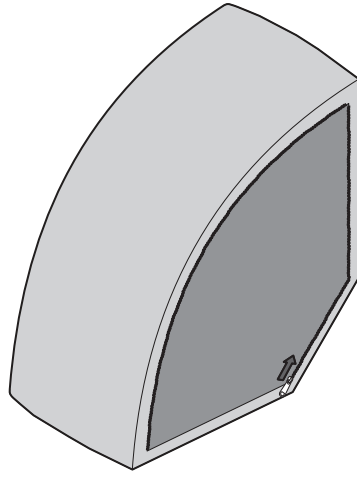
4



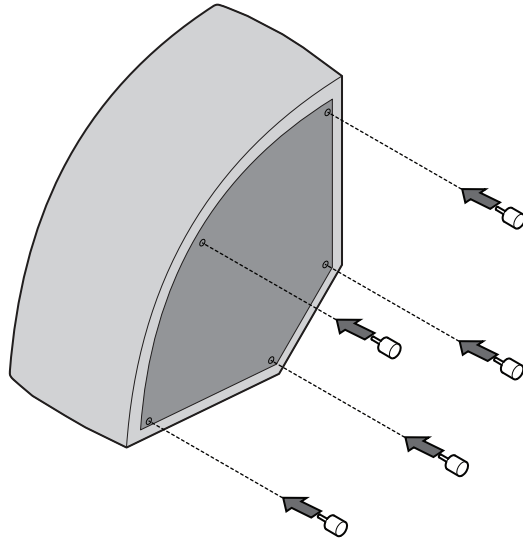
5



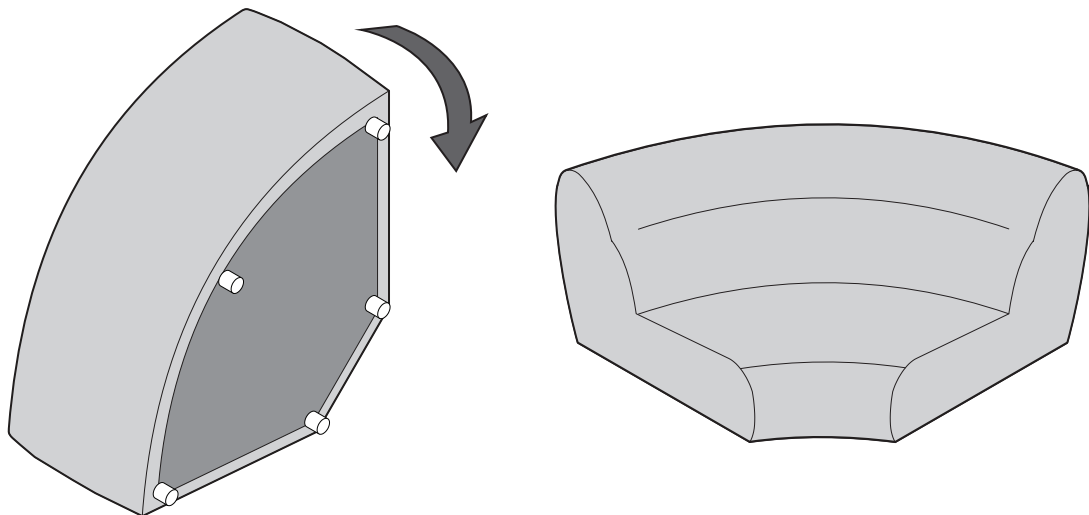
6



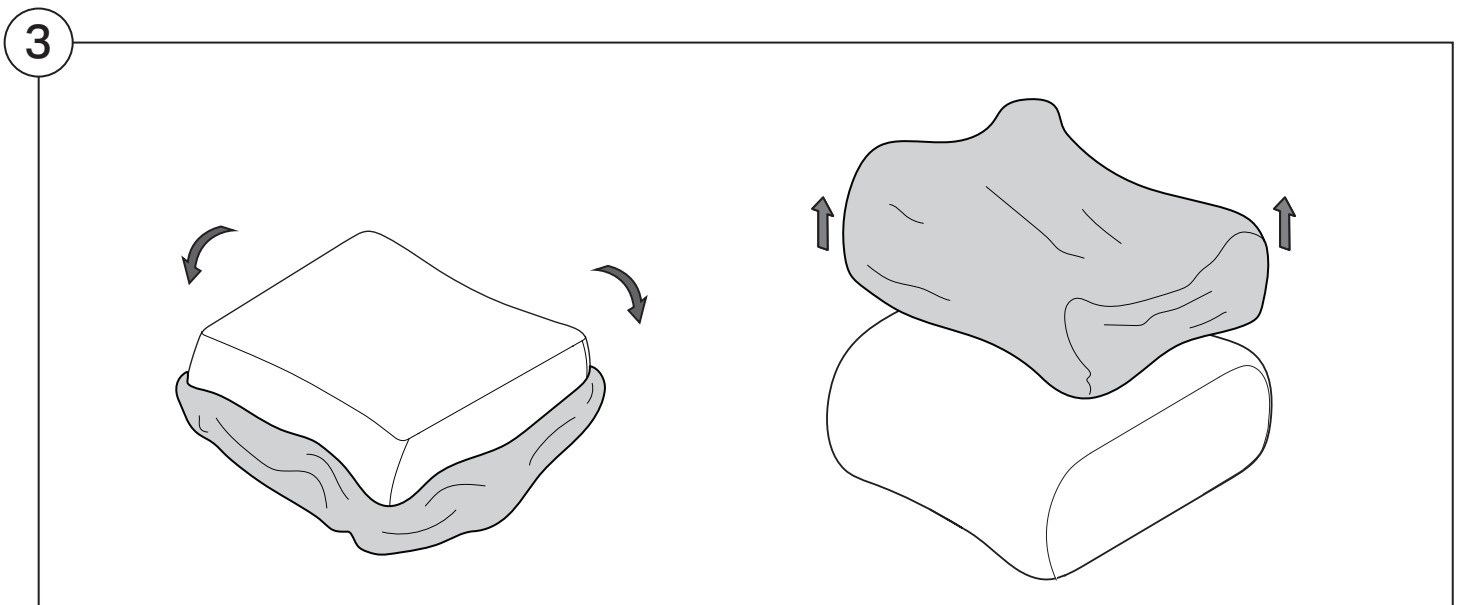
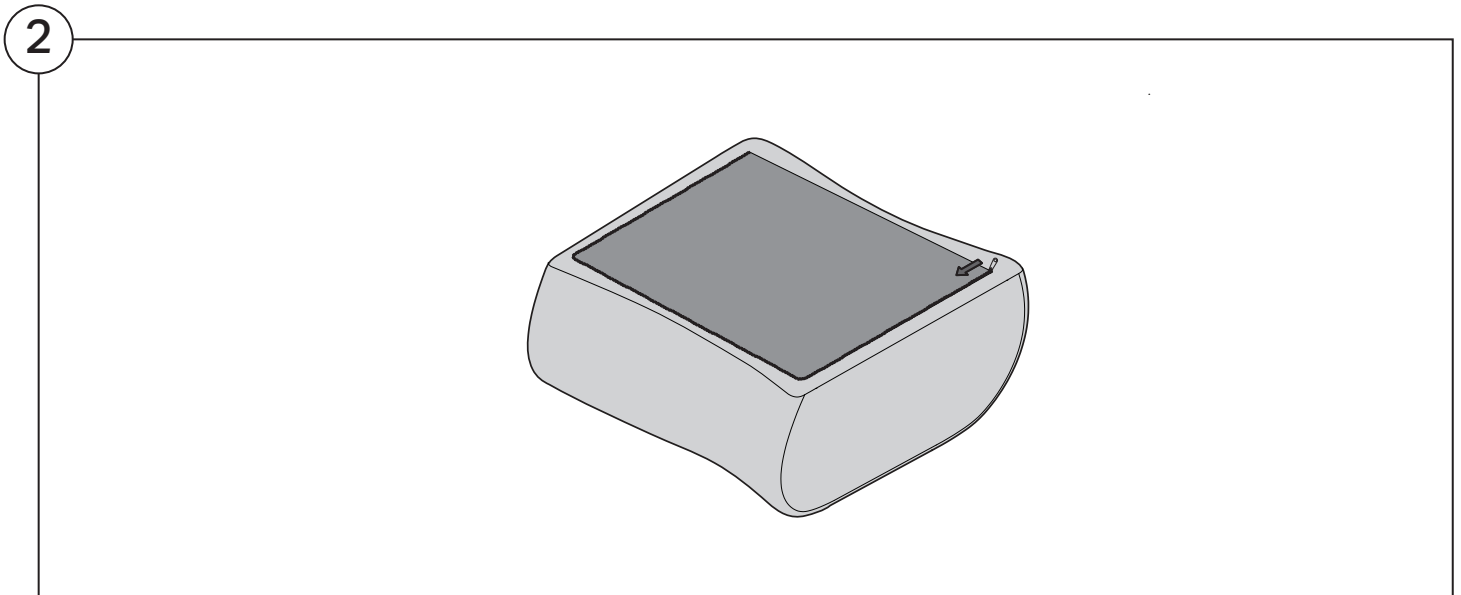
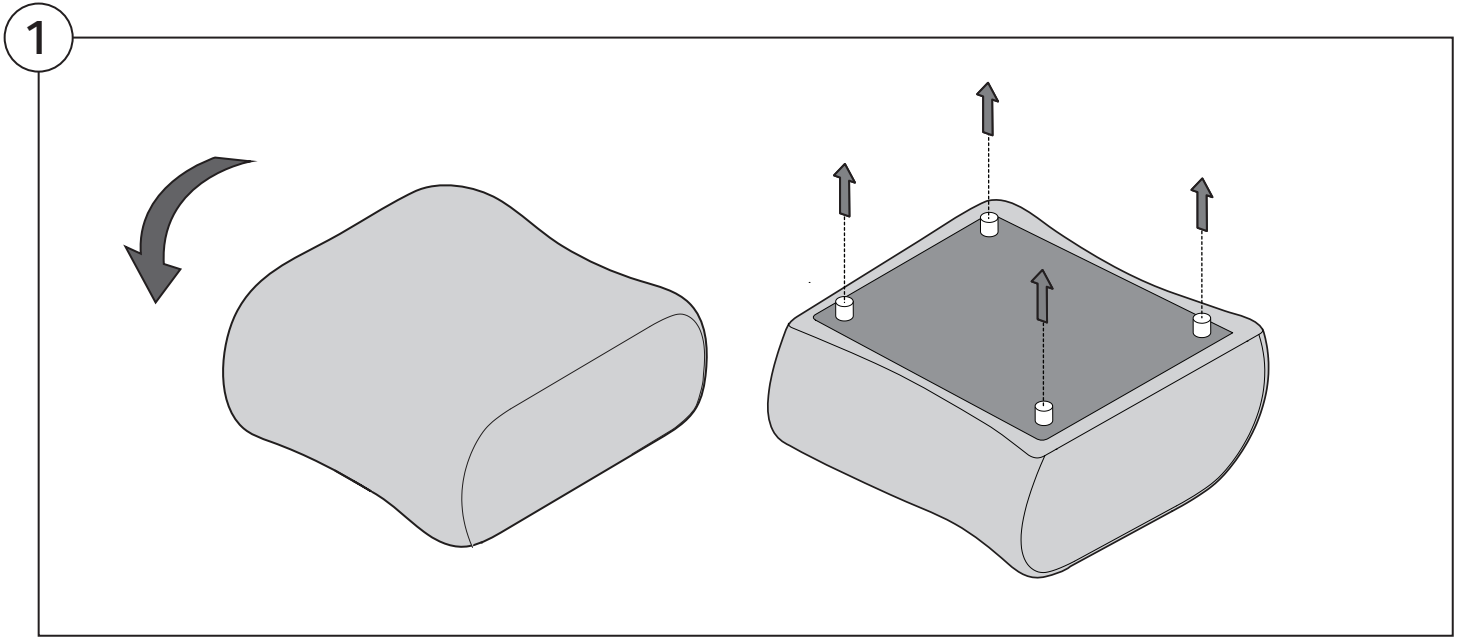
7



8

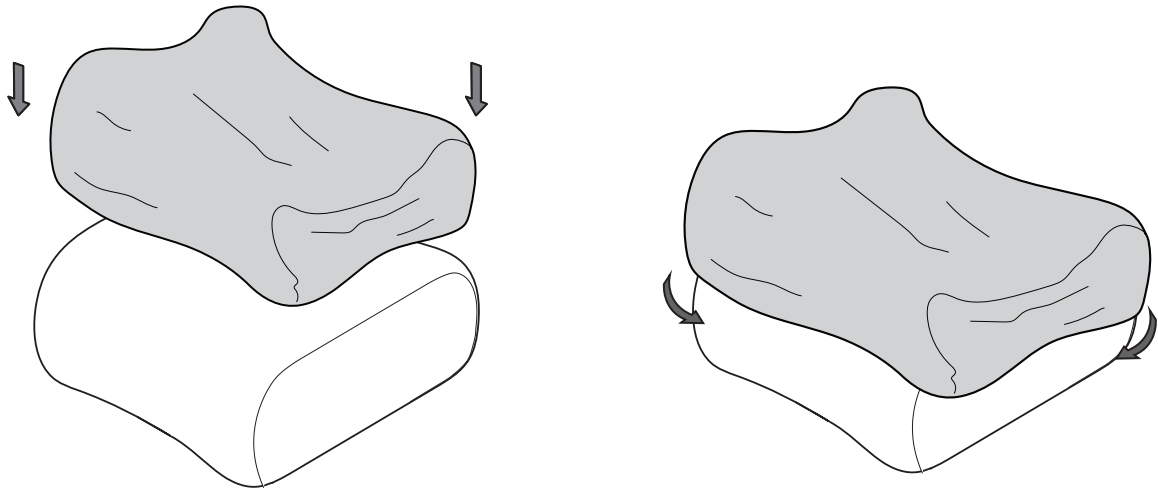


Cover Removal: Ottoman

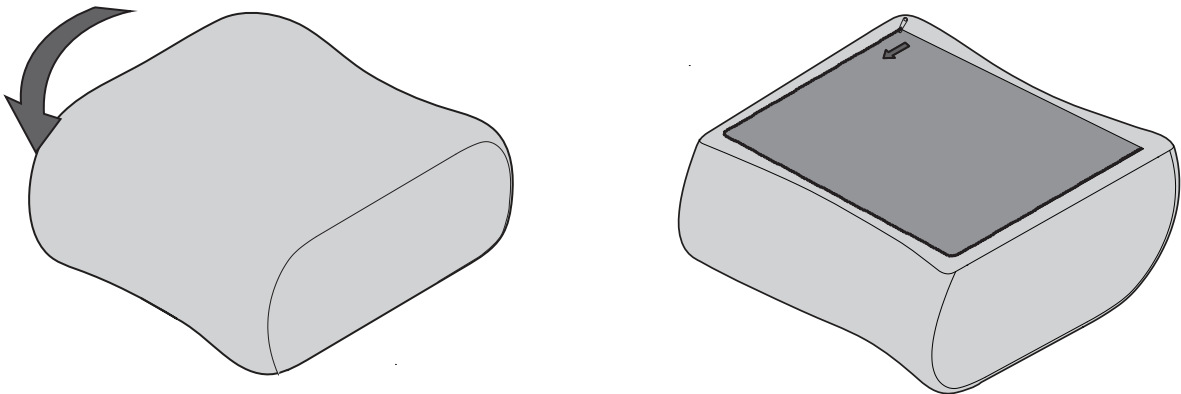


Cover Installation: Ottoman

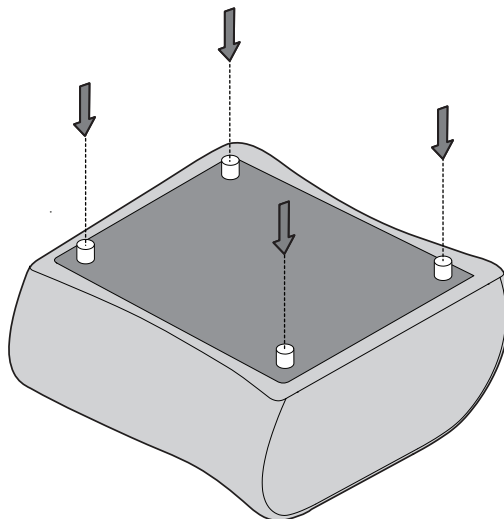
1



2



3



1978 High Back Sofa Arm Assembly | User Guide



Two people required for safe assembly

Opening Boxes: DO NOT use a knife to open the packaging as you may damage your furniture. Peel-off the tape, then lift and separate the cardboard flaps to open.

Please follow these Assembly | User Guide Instructions

Product Care

Short Bracket

Chair

Arm

Short Bracket

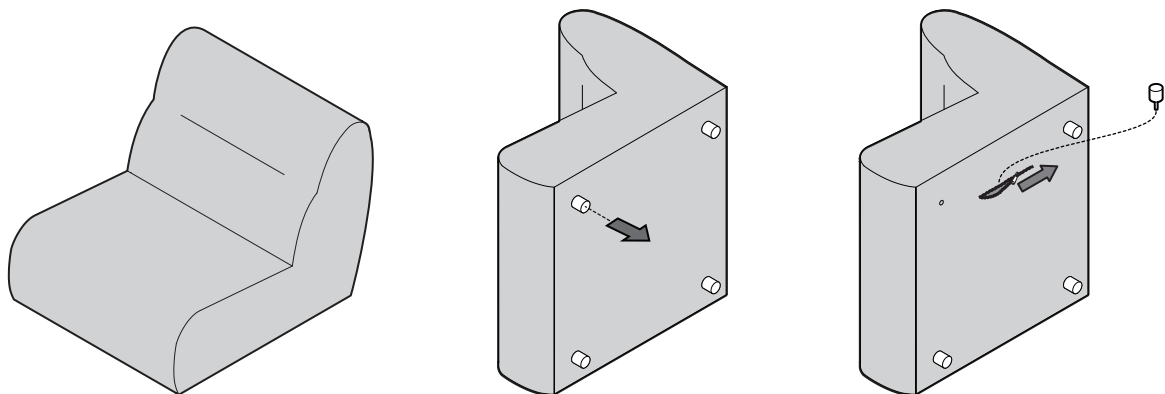
Also Compatible:

- Chaise
- 2-Seater

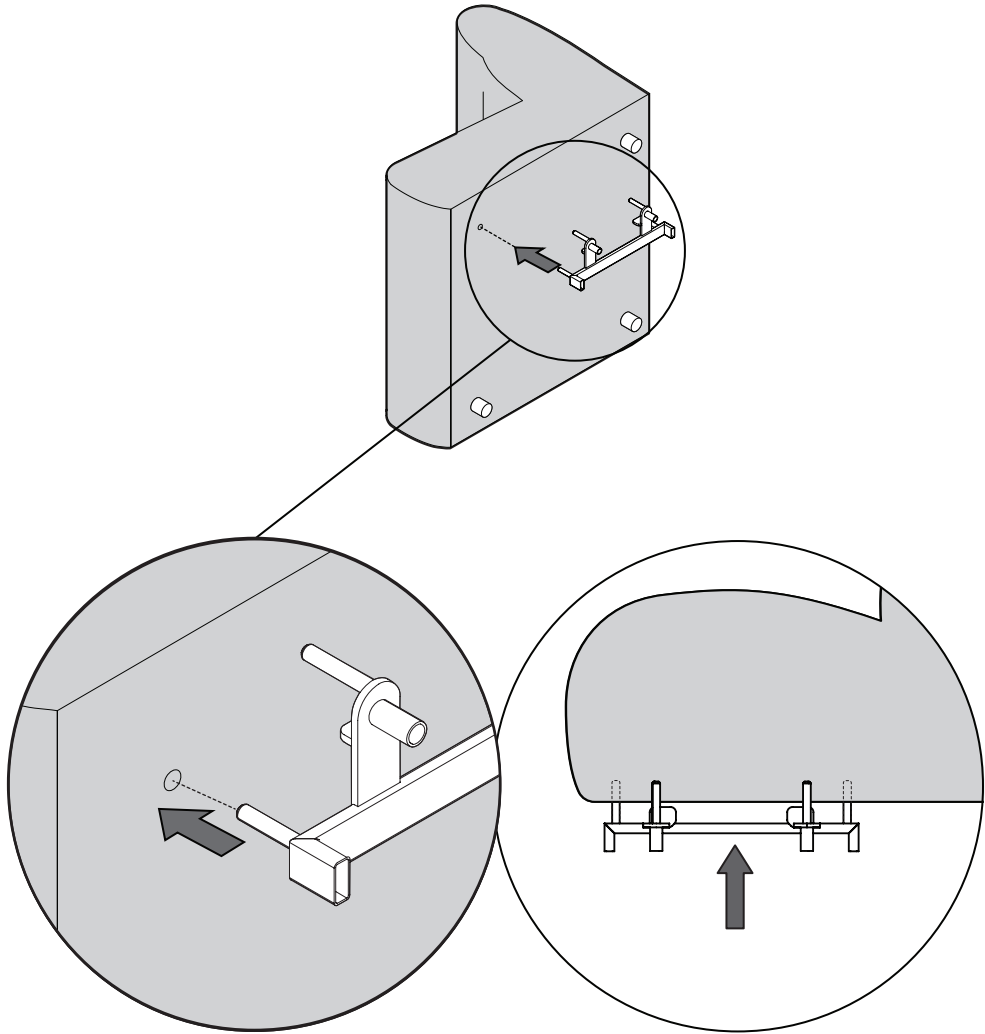
Arm Bracket compatible for left or right-hand configurations with Standard 1977 Fixed Height Legs and Adjustable 45mm (1.75") Legs only.

Arm Assembly: Chair | Chaise | 2-Seater

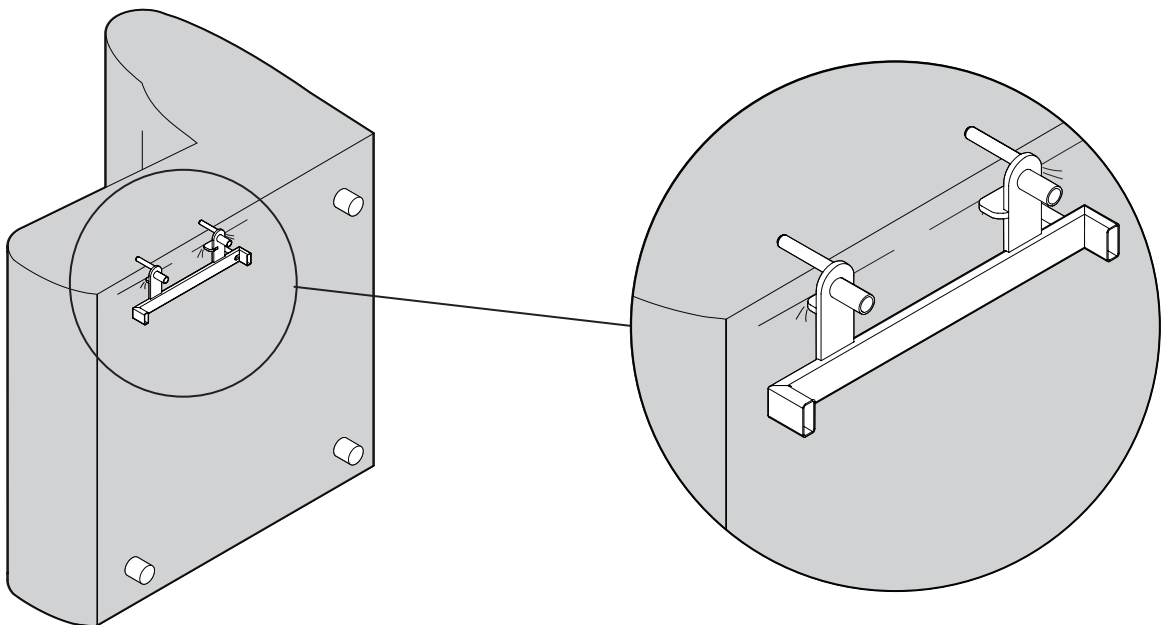
1



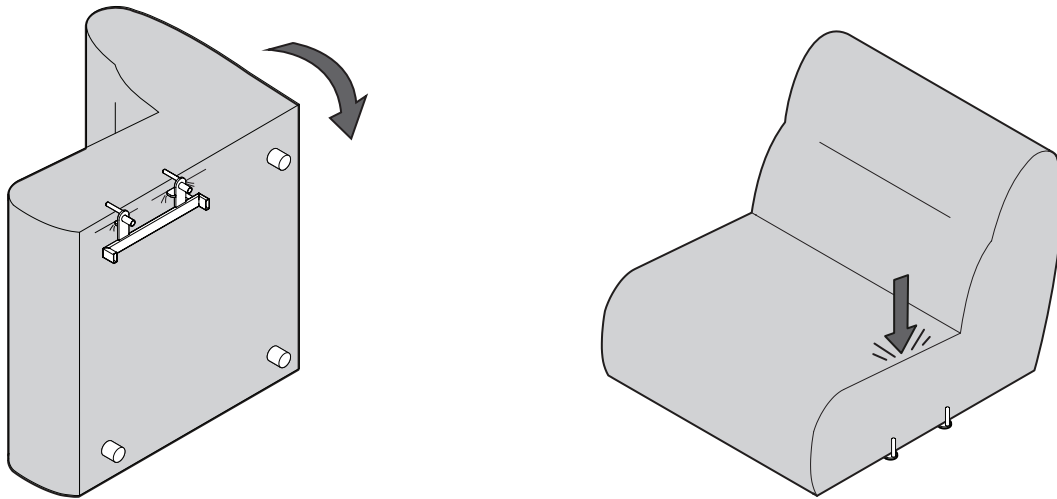
2



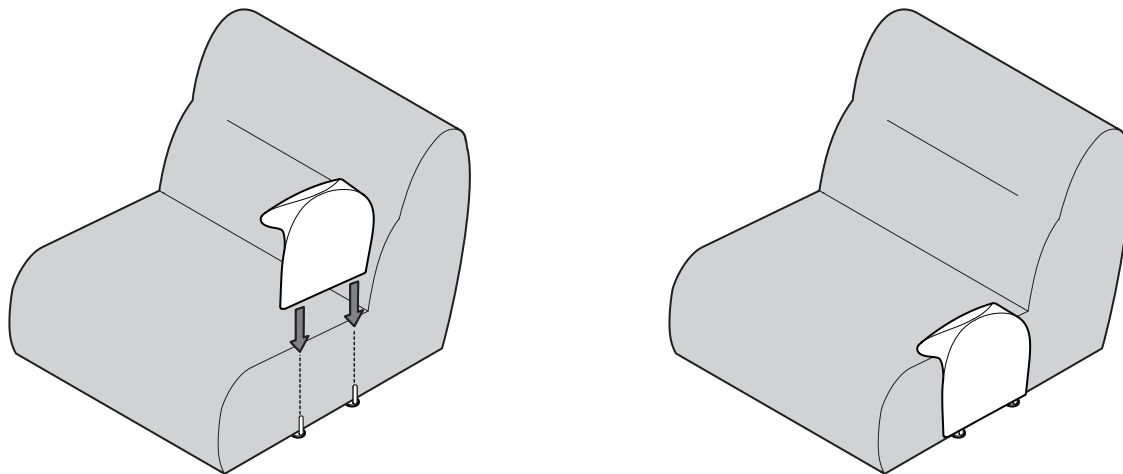
3



4



5



1978 High Back Sofa Wide Arm Assembly | User Guide



Two people required for safe assembly

Opening Boxes: DO NOT use a knife to open the packaging as you may damage your furniture. Peel-off the tape, then lift and separate the cardboard flaps to open.

Please follow these **Assembly | User Guide Instructions**

Product Care

Wide Arm Bracket

Chair

Wide Arm

Wide Arm Brackets

Also Compatible:

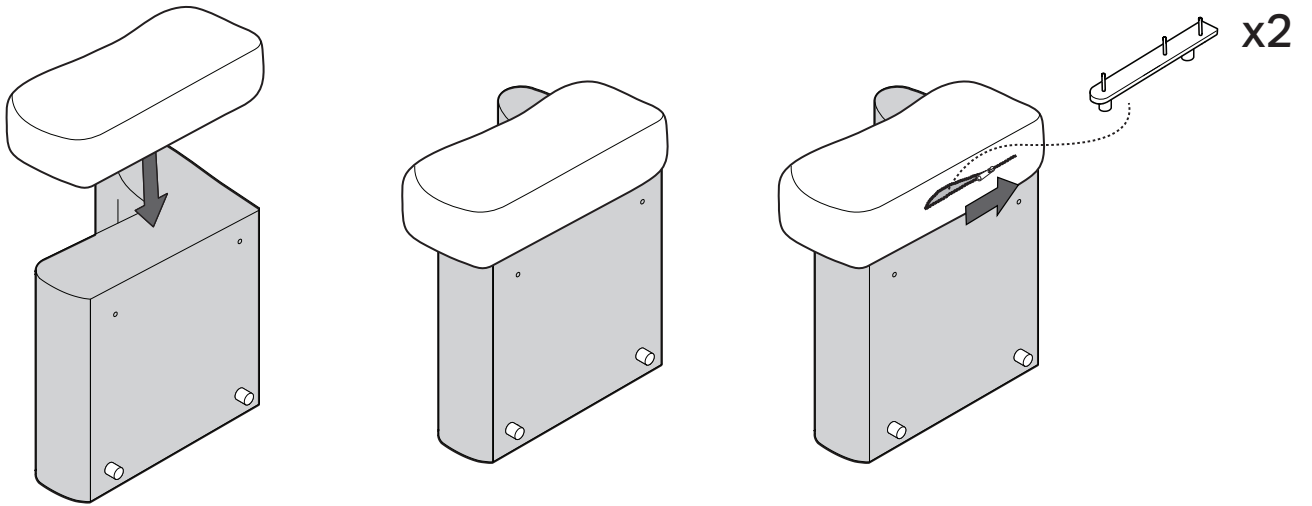
- Chaise
- 2-Seater

Arm Bracket compatible for left or right-hand configurations with Standard 1978 Fixed Height Legs and Adjustable 45mm (1.75") Legs only.

Wide Arm Assembly: Chair | Chaise | 2-Seater

1

2



3

