

Apero Side Table

Assembly Instructions

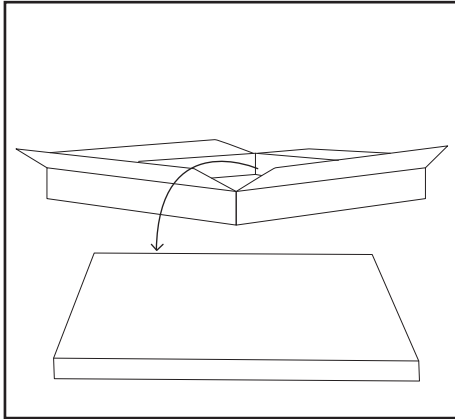
KING[®]
L I V I N G

One person is required for safe assembly.

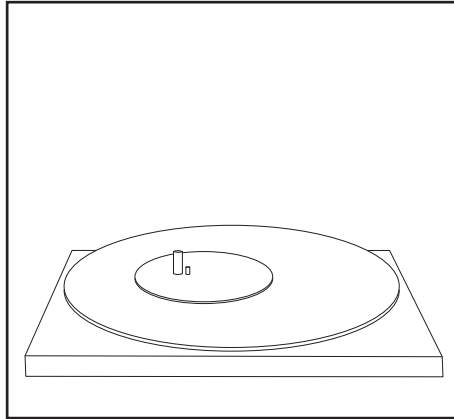
Opening Boxes

DO NOT use a knife to open the King Living boxes as you may damage your furniture. Peel off the tape, then lift & separate the cardboard flaps to open.

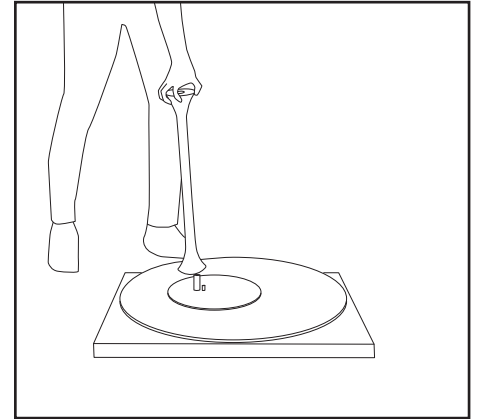
Assemble your furniture by following the steps below.



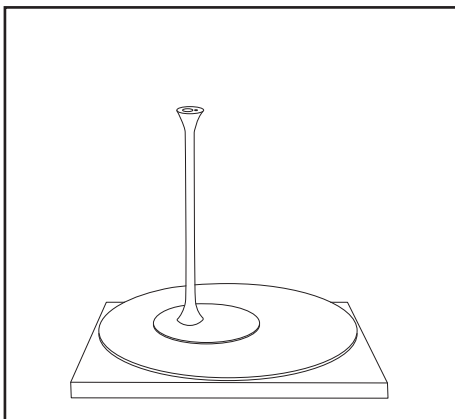
1



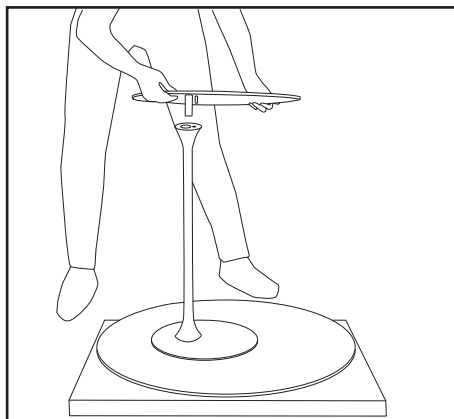
2



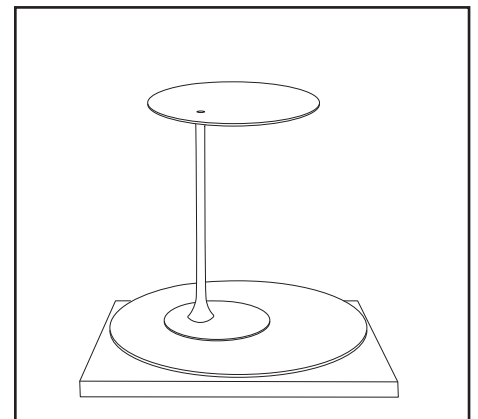
3



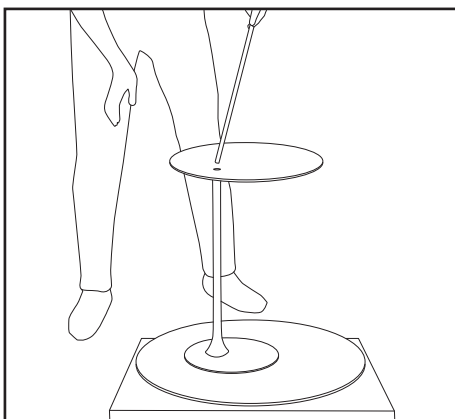
4



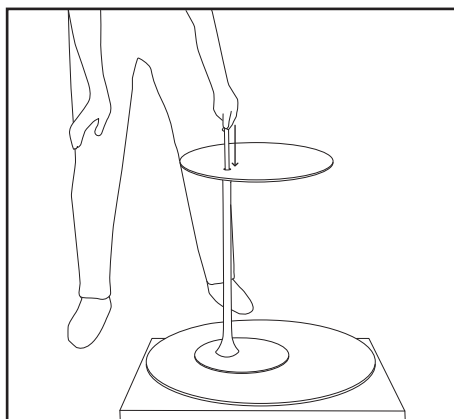
5



6



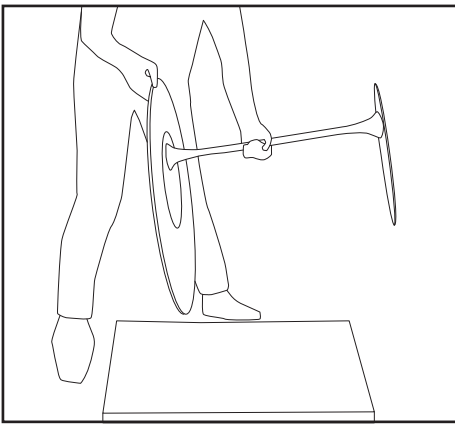
7



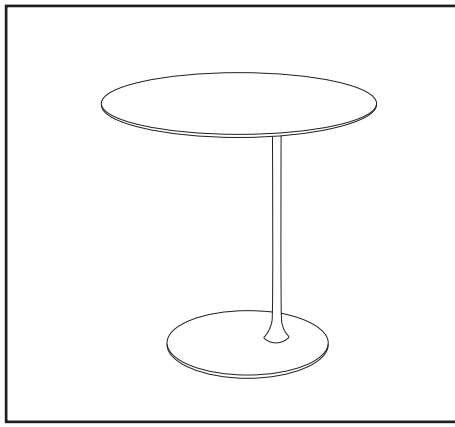
8



9



10



11