

Aura Outdoor Sofa

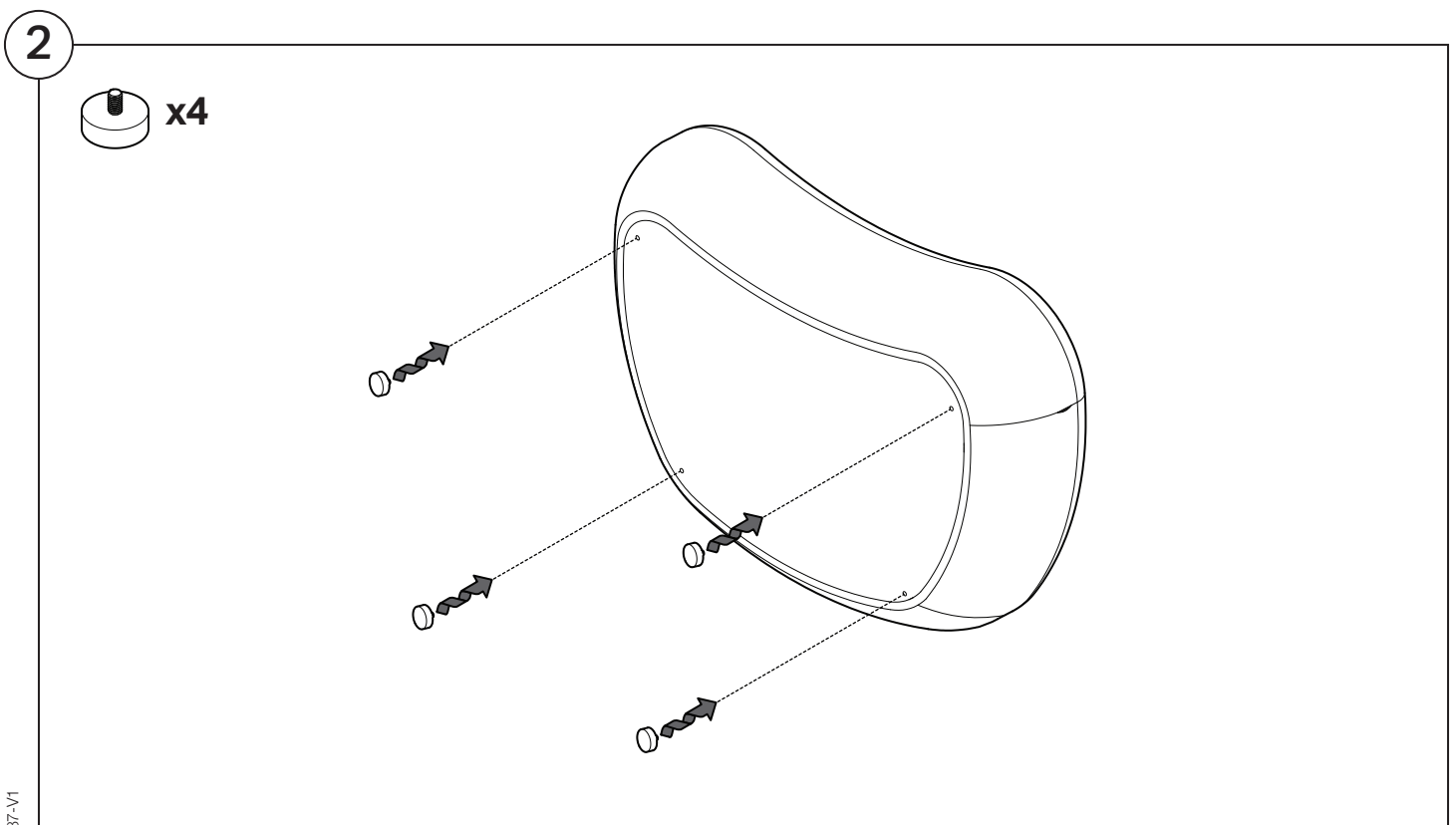
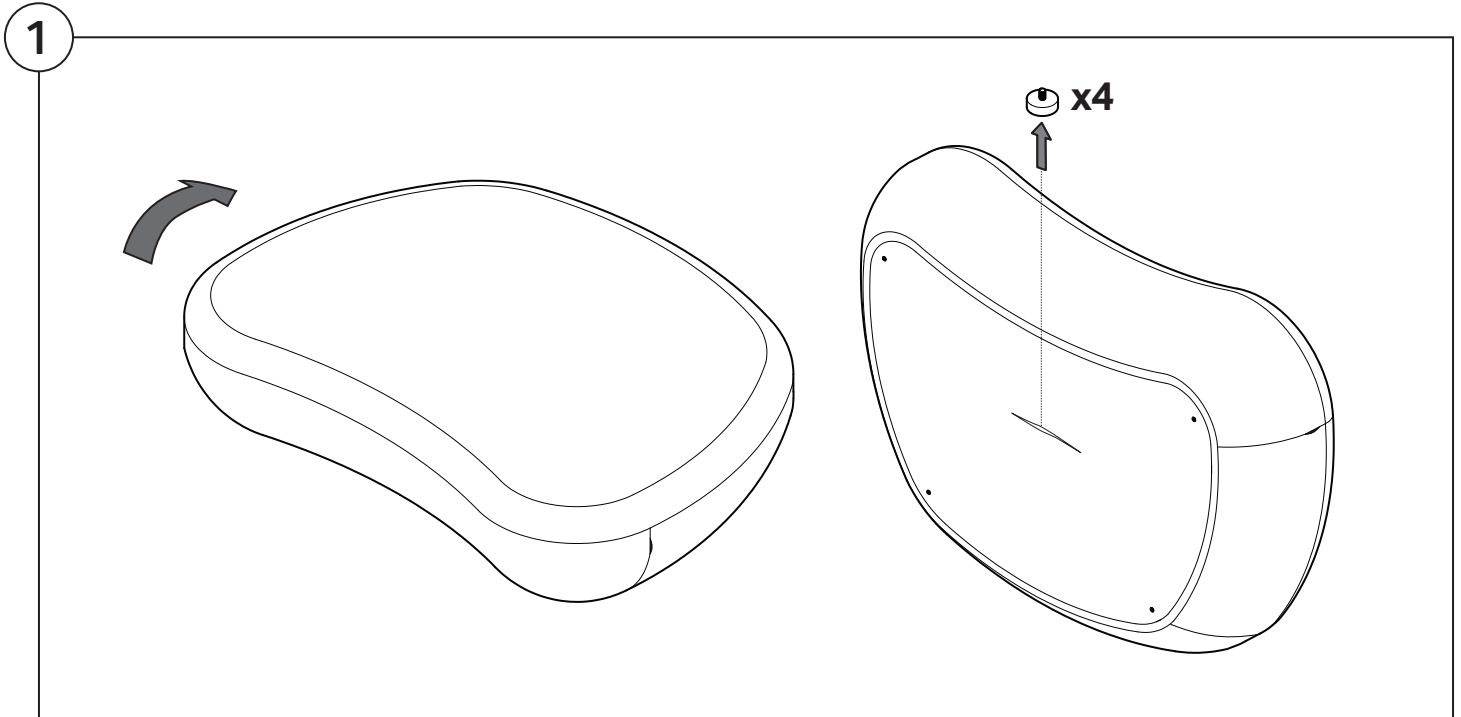
Assembly | User Guide

Two people are required for safe assembly

Opening Boxes:

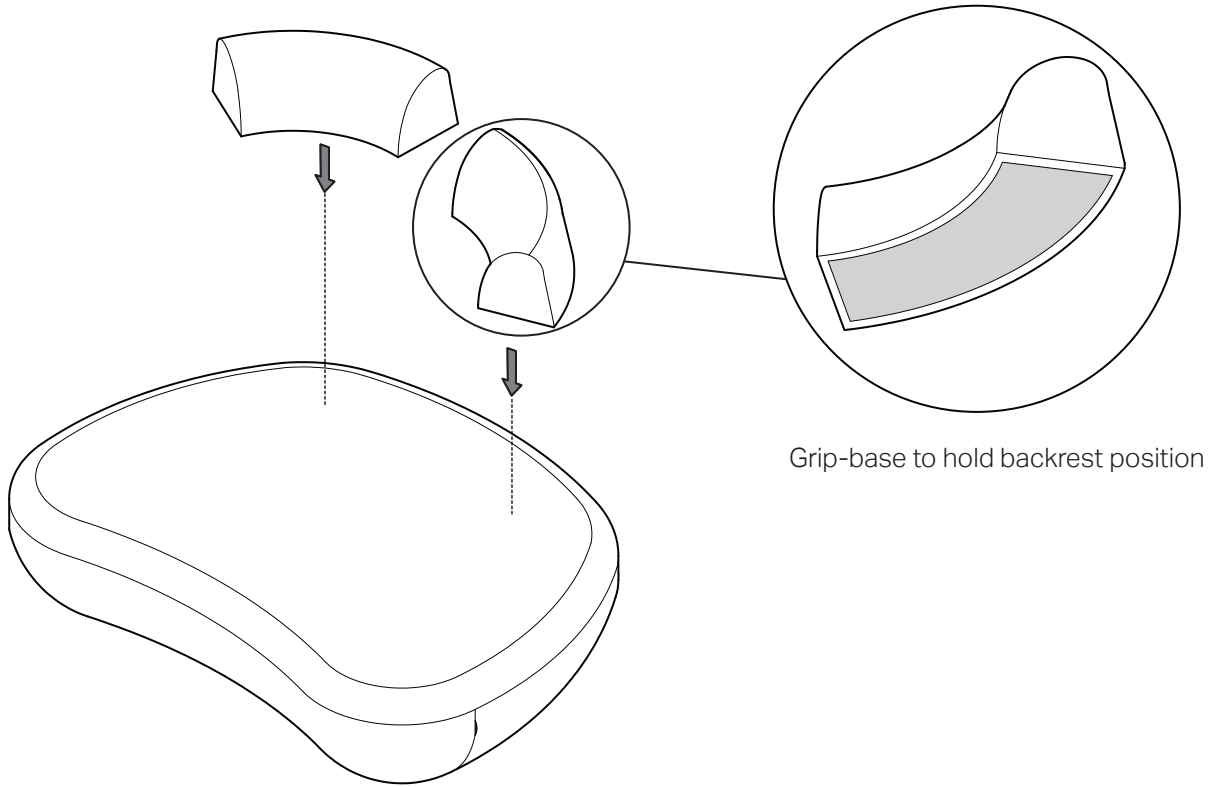
DO NOT use a knife to open the packaging as you may damage your furniture.
Peel off the tape, then lift & separate the cardboard flaps to open.

Assemble your furniture by following the instructions below.



3

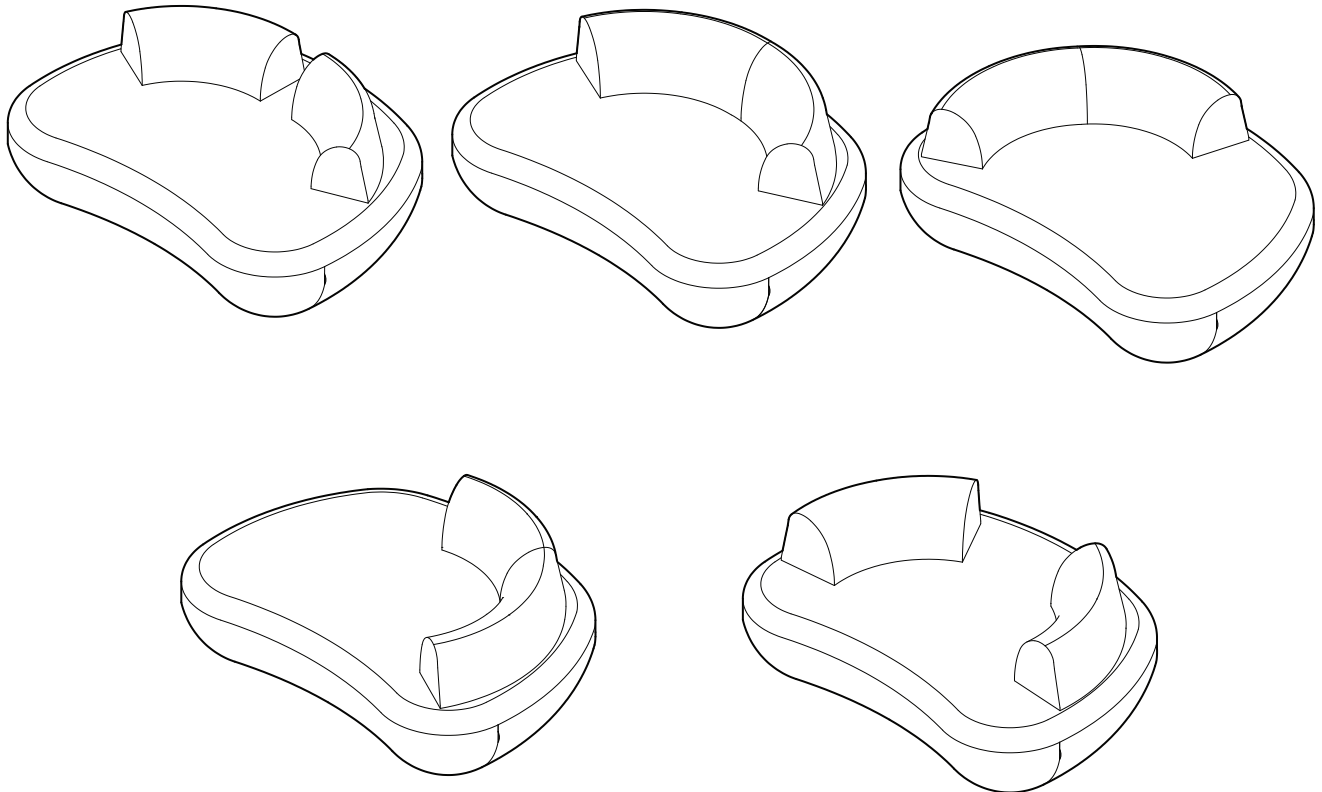
Aura Omni Positional Backrest



4

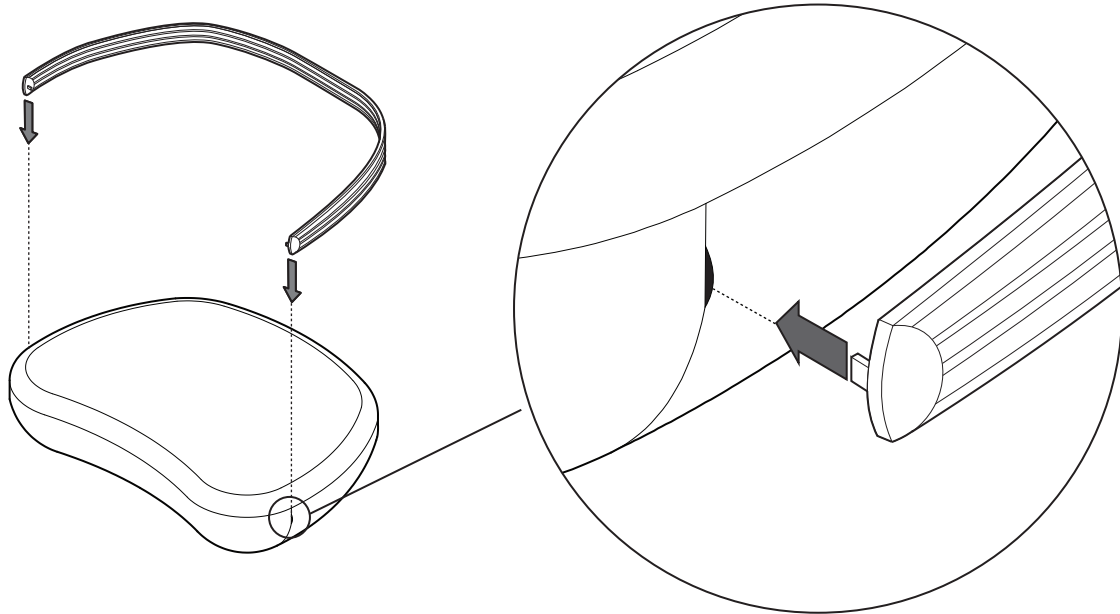
Aura Omni Positional Backrest – configurations

Free-positioning without brackets or attachments

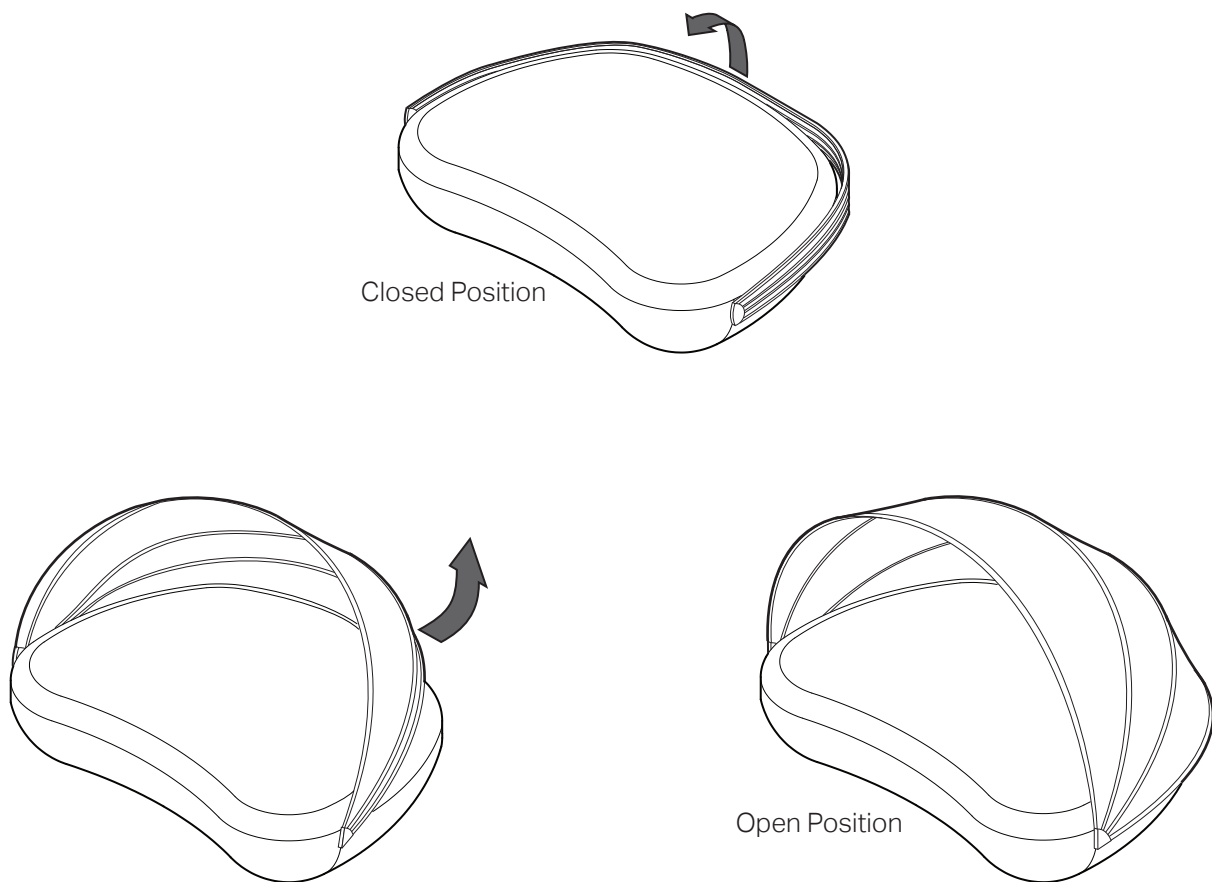


1

Shade Canopy Installation



2



WARNING

Before installing WeatherGuard, ensure Shade Canopy is closed.