

Crescent | Venus | Mars

Assembly Instructions

KING[®]
L I V I N G

Two people are required for safe assembly.

Opening Boxes

DO NOT use a knife to open the King Living boxes as you may damage your furniture. Peel off the tape, then lift & separate the cardboard flaps to open.

Assemble your furniture by following the steps below.

IMPORTANT! After assembly completed: two people are required to carefully lift and turn table upright to avoid putting undue strain on the table legs.

1

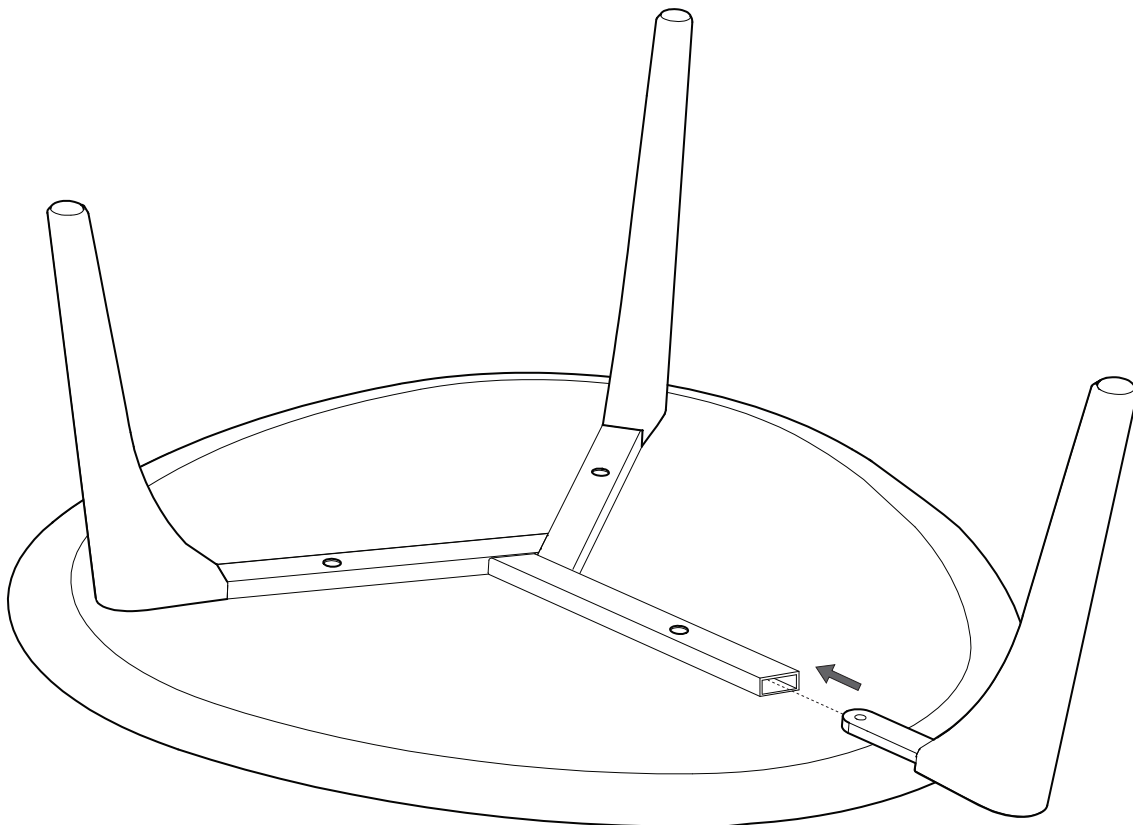


Table Legs: **Crescent:** 3x Legs | **Venus:** 3x Legs | **Mars:** 4x Legs