

Heritage Fixed Table

Assembly | User Guide

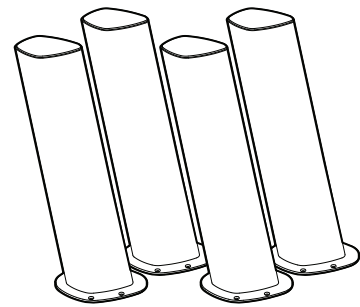
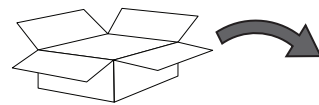
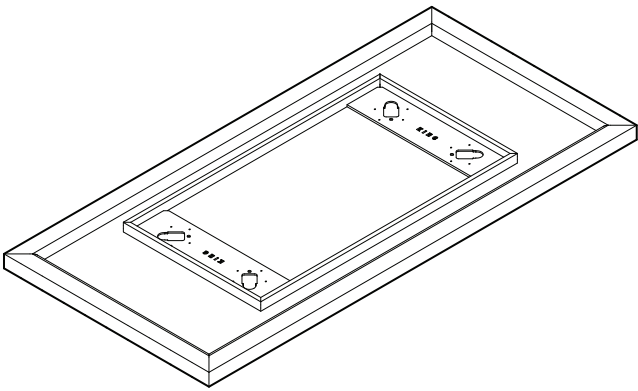
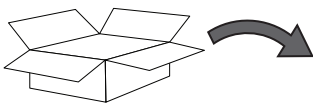
Four people are required for safe assembly

Opening Boxes:

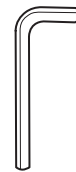
DO NOT use a knife to open the packaging as you may damage your furniture.
Peel off the tape, then lift & separate the cardboard flaps to open.

Assemble your furniture by following the instructions below.

1

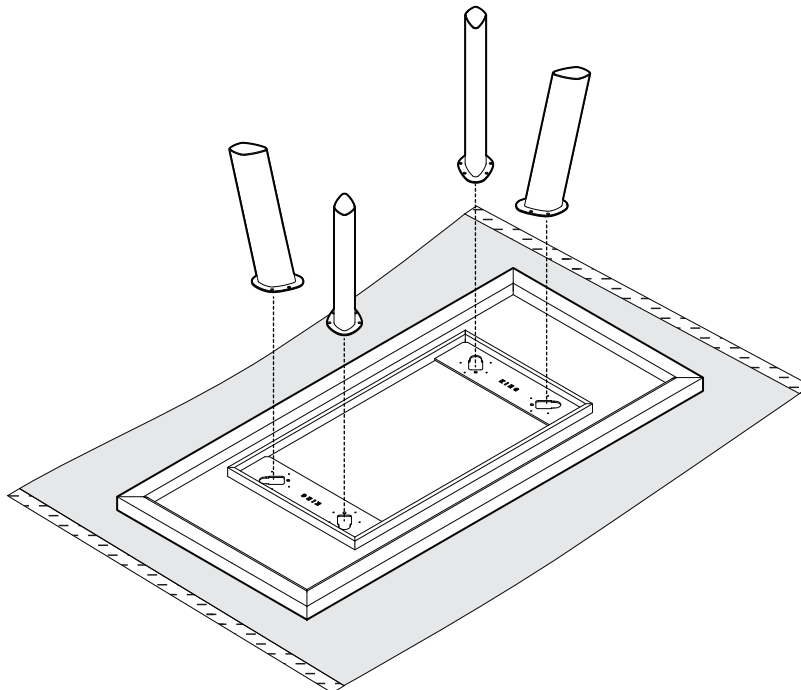


x16

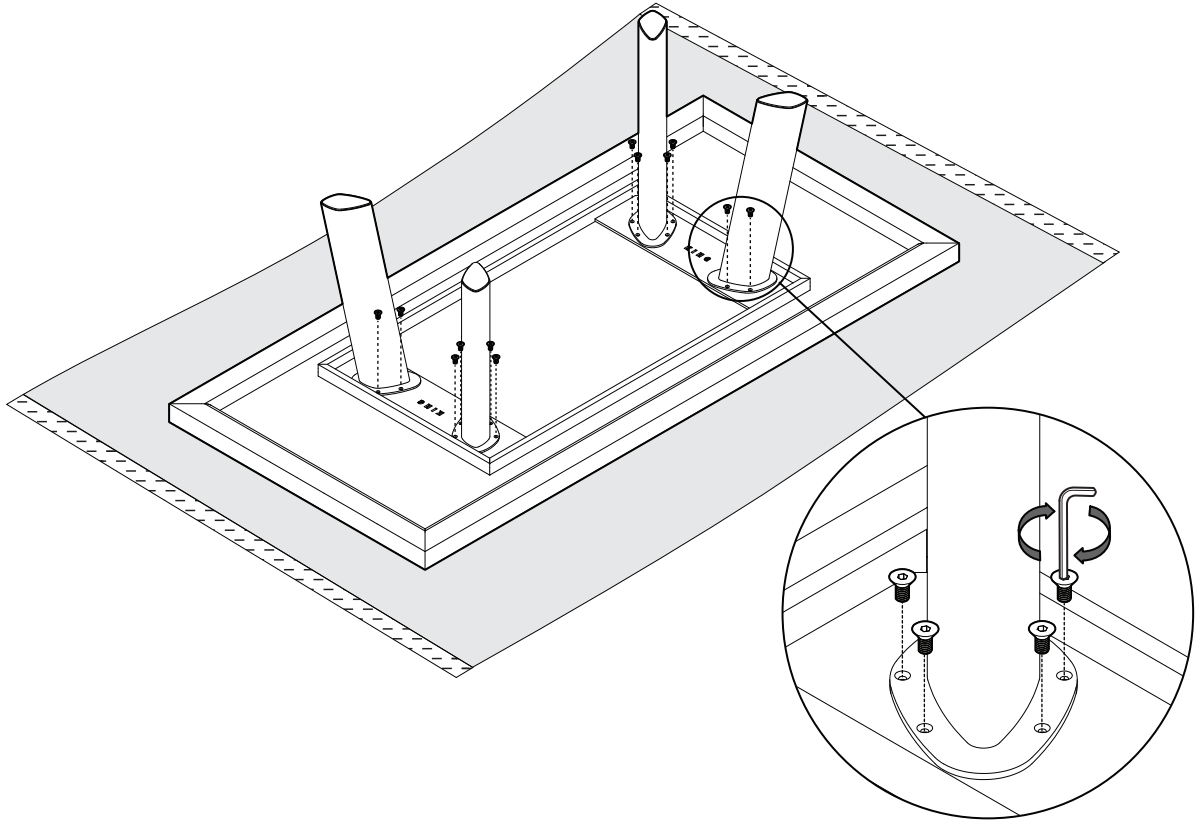


x1 (6mm)

2



3



4

