

# Olive Tables: Dining, Counter and Bar Heights

## Assembly | User Guide

# K I N G

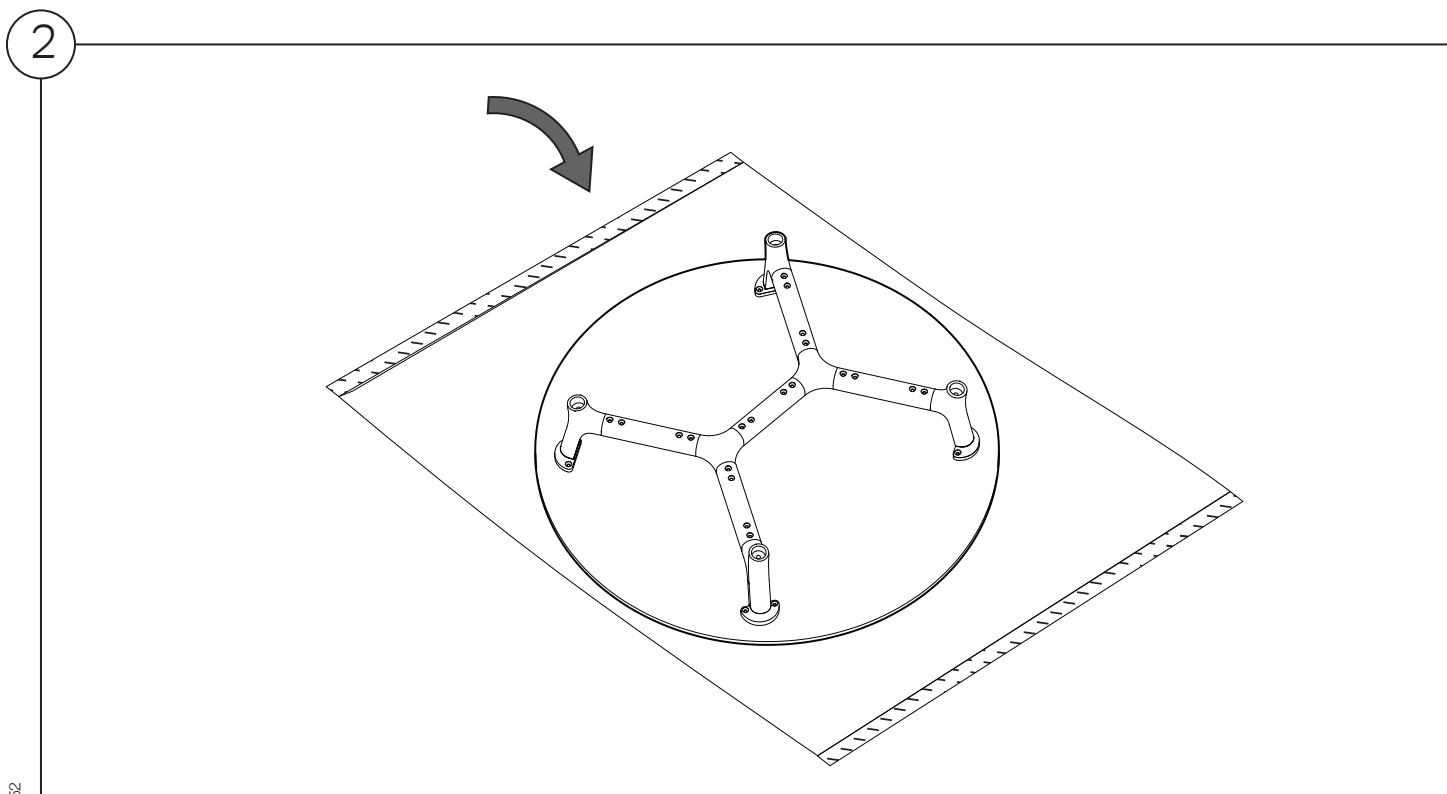
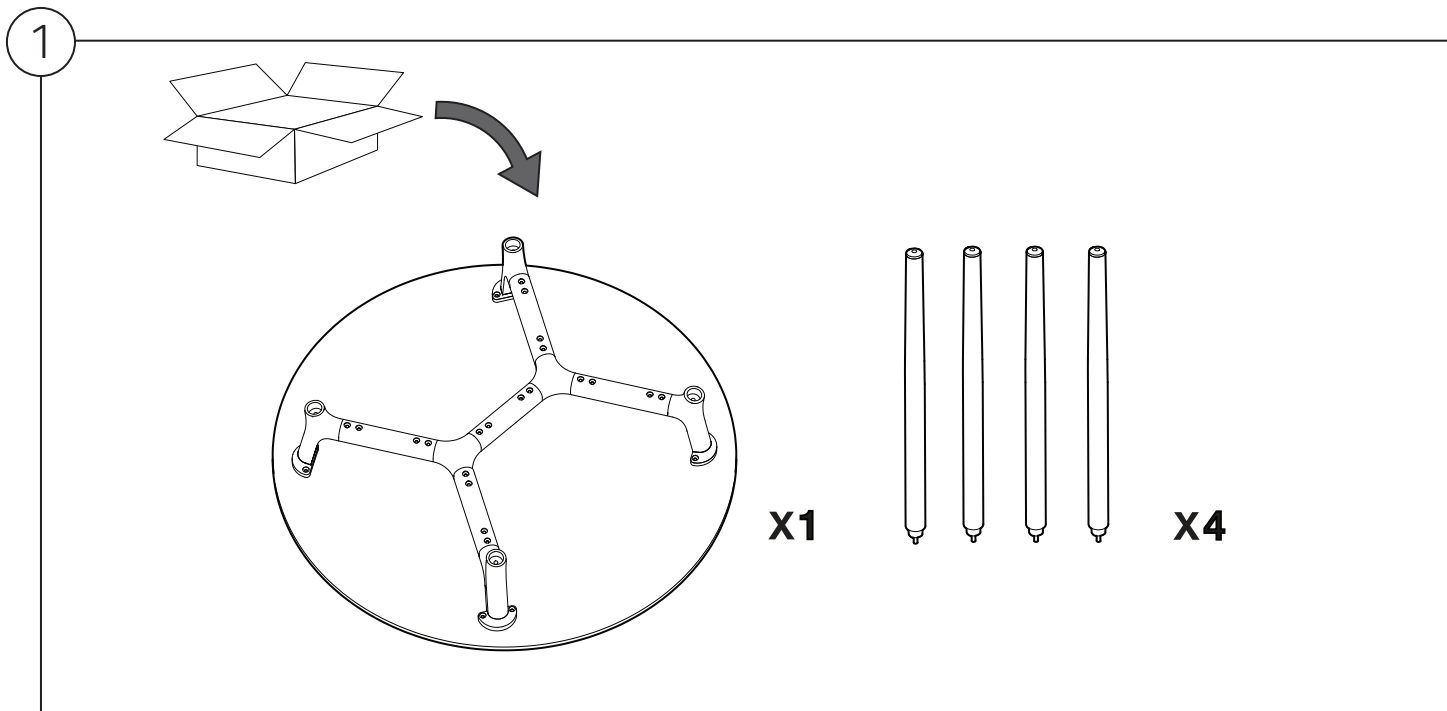


Product Care

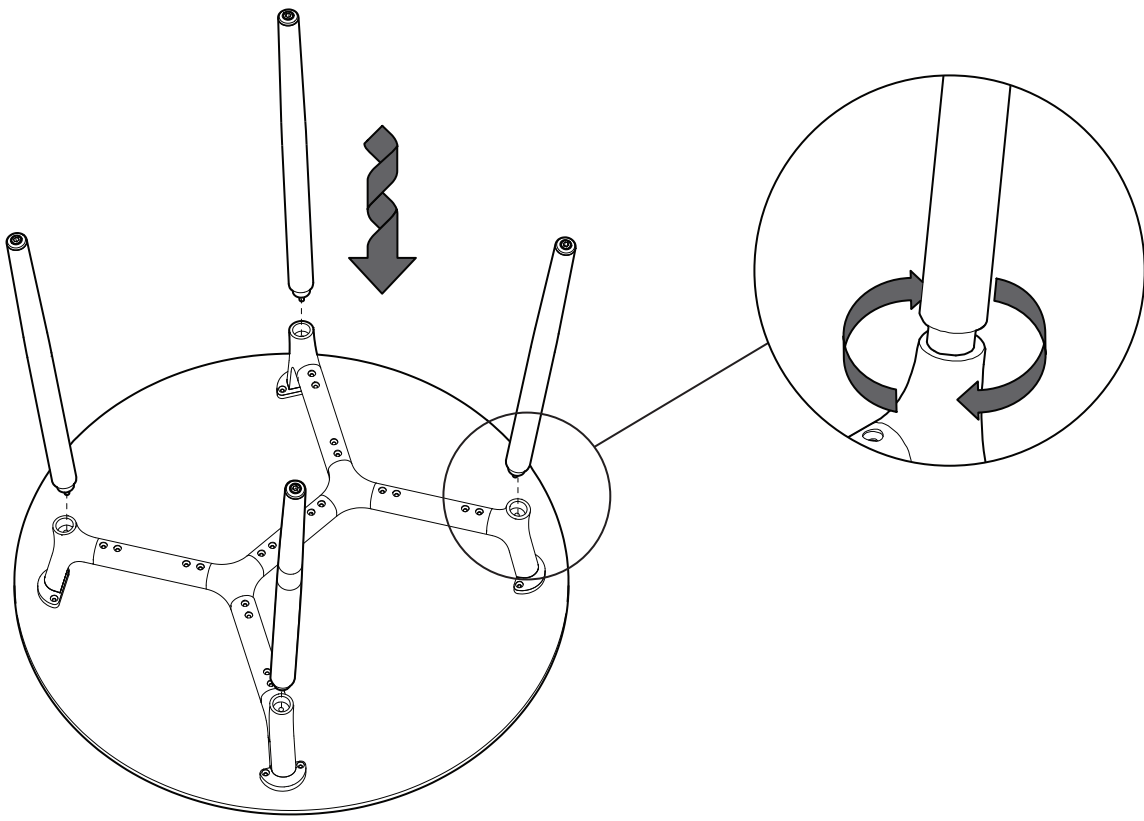
**Two people required for safe assembly**

**Opening Boxes:** DO NOT use a knife to open the packaging as you may damage your furniture. Peel-off the tape, then lift and separate the cardboard flaps to open.

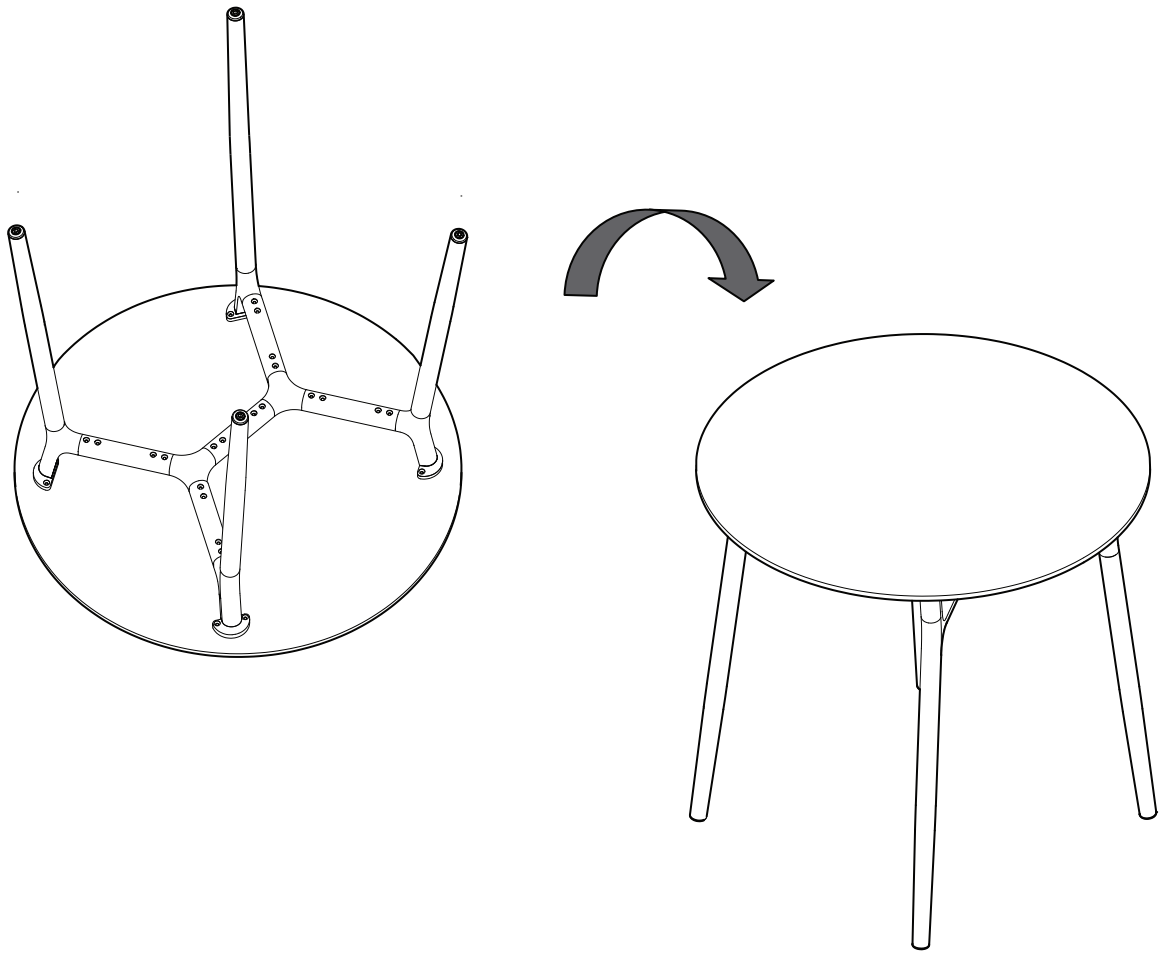
**Please follow these Assembly | User Guide Instructions**



3



4

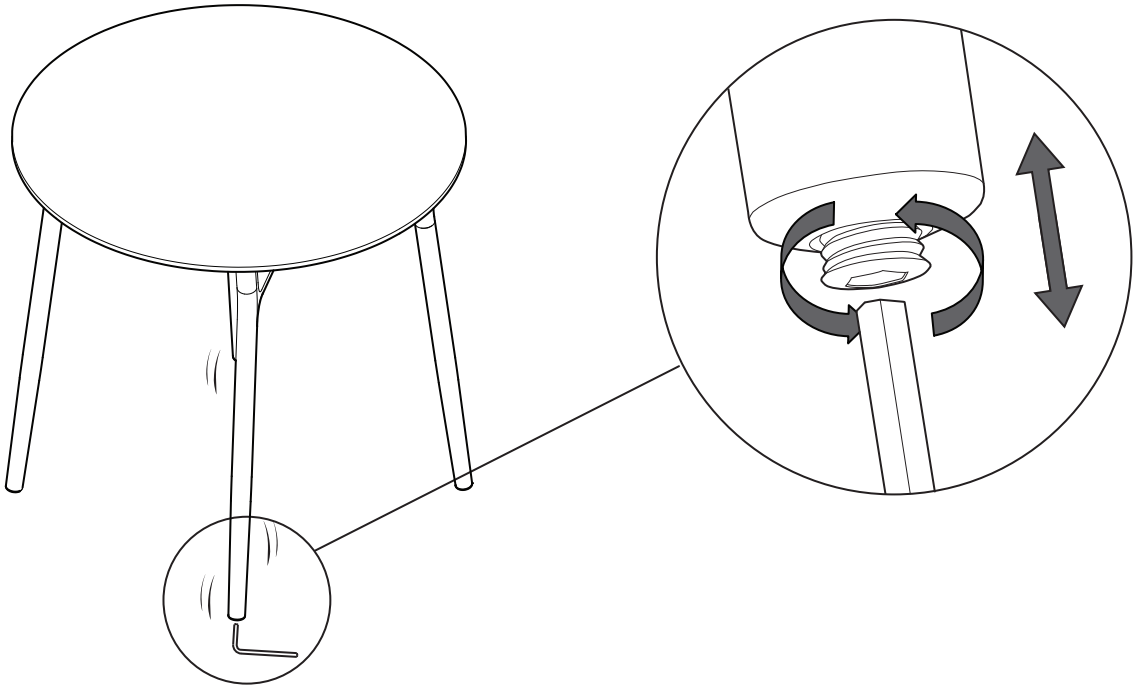


# Adjusting Leg Height

1



**X1 8mm Allen Key**



2

