

ReoGrand™ Sofa Bed

Assembly Instructions

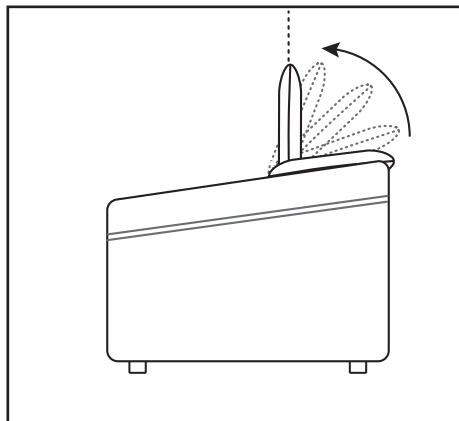
KING®
L I V I N G

Two people are required for safe assembly.

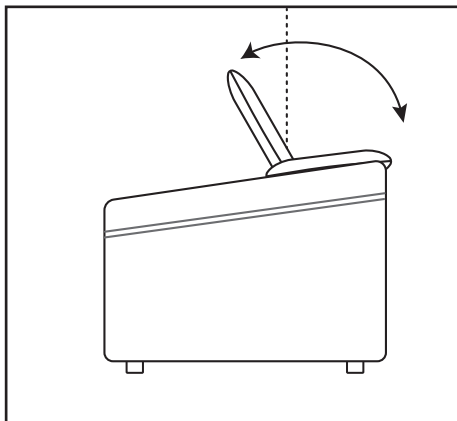
Opening Boxes

DO NOT use a knife to open the King Living boxes as you may damage your furniture. Peel off the tape, then lift & separate the cardboard flaps to open.

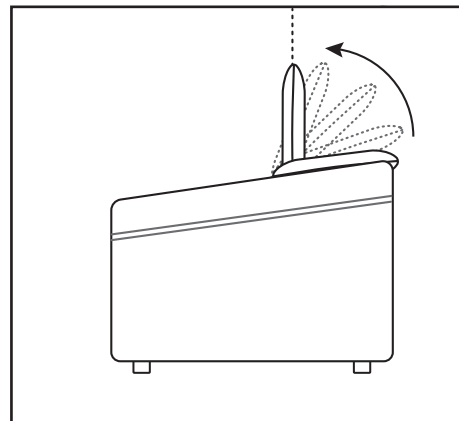
Assemble your furniture by following the steps below.



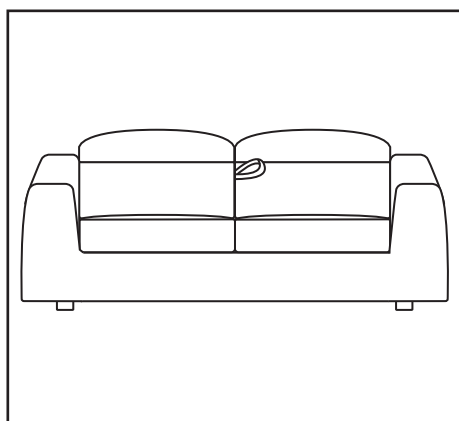
1.



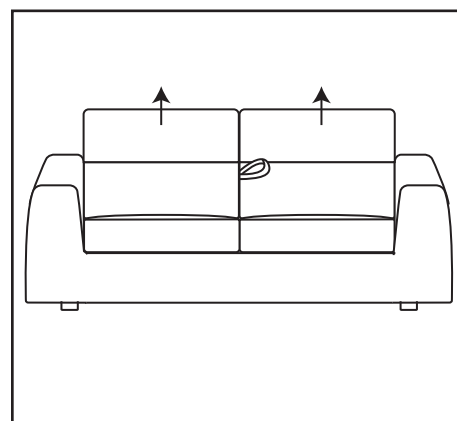
2.



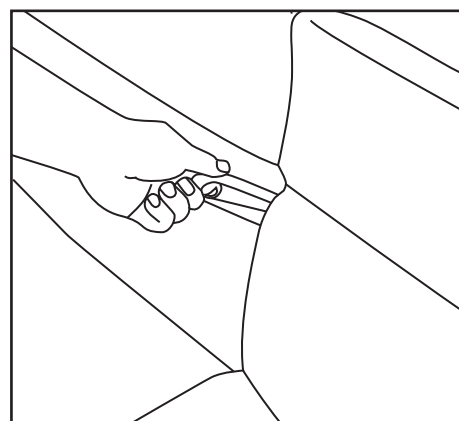
3.



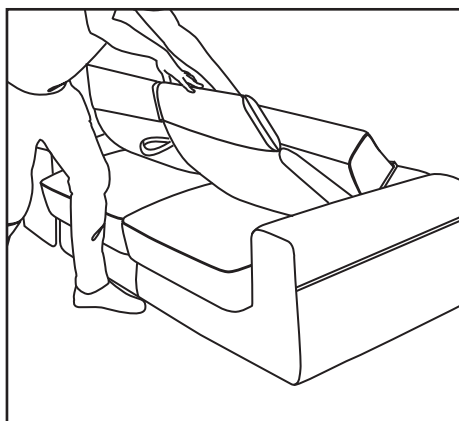
4.



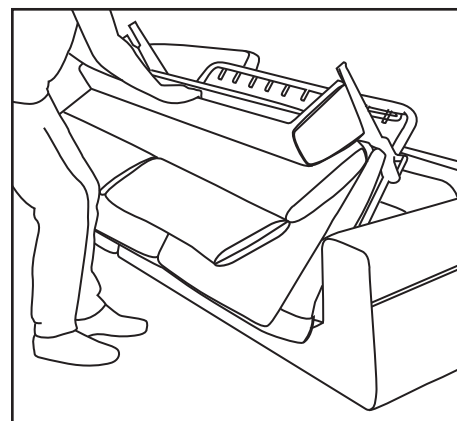
5.



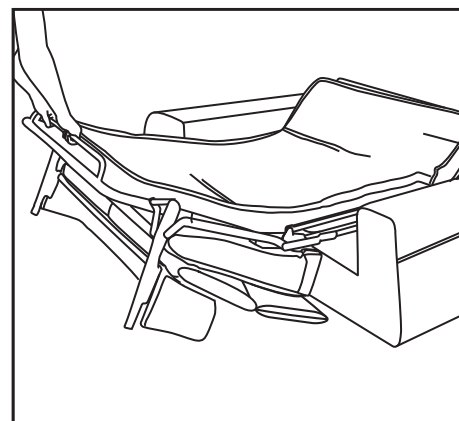
6.



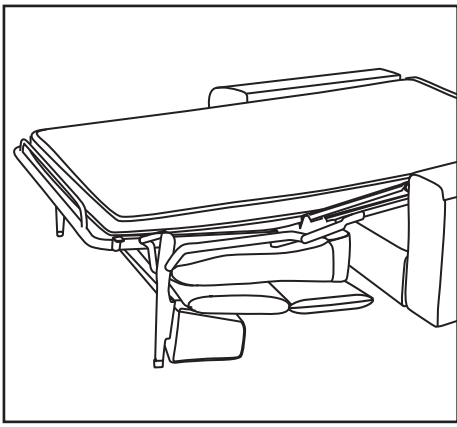
7.



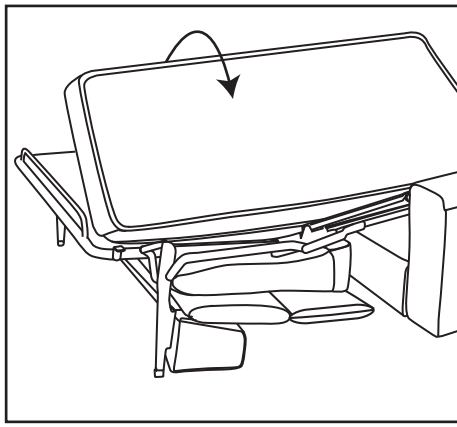
8.



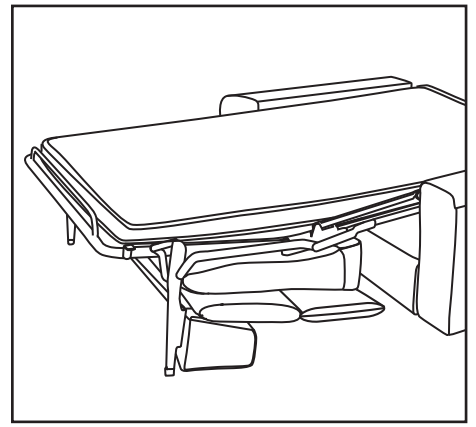
9.



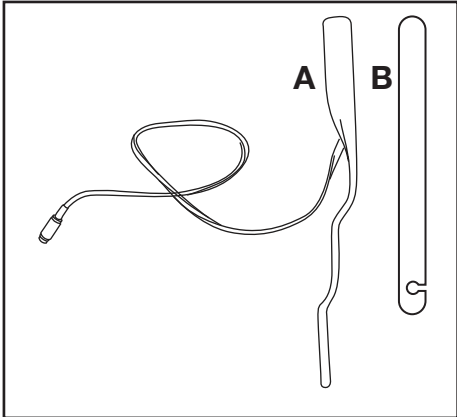
10.



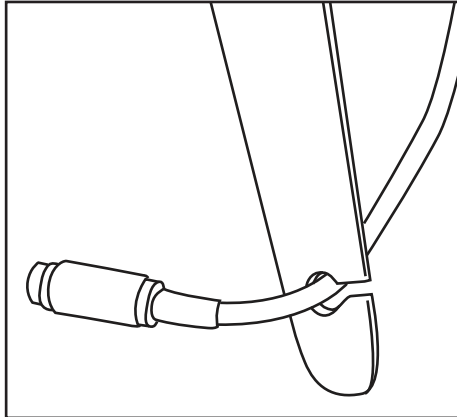
11.



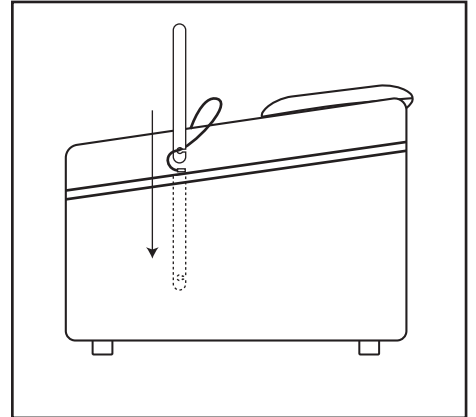
12.



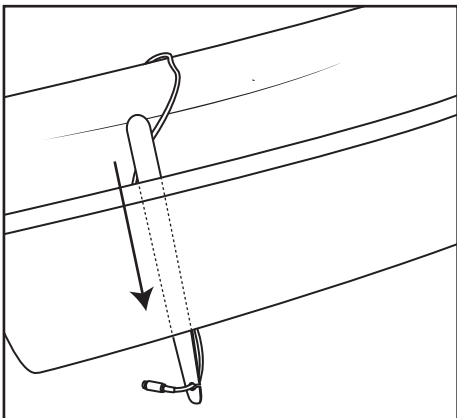
13. Smart Pocket Accessories (Optional):



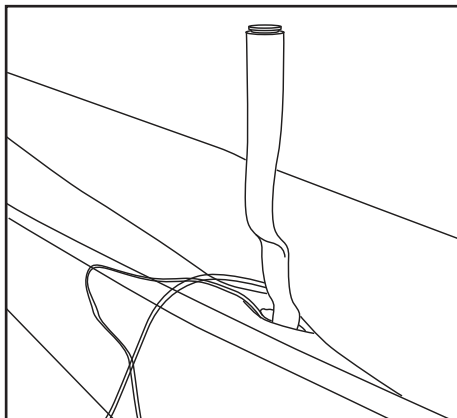
14.



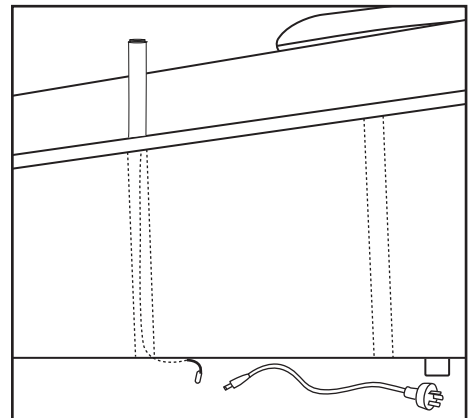
15.



16.



17.



18.

