

Jasper II

Assembly Instructions

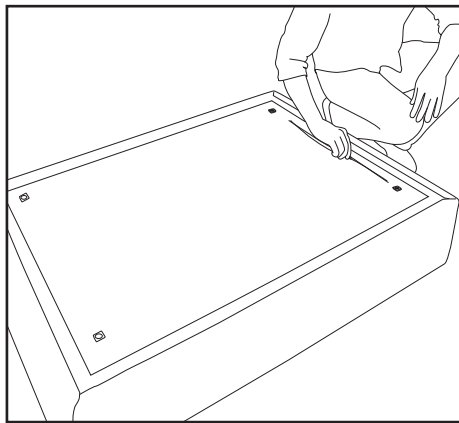
KING[®]
L I V I N G

Two people are required for safe assembly.

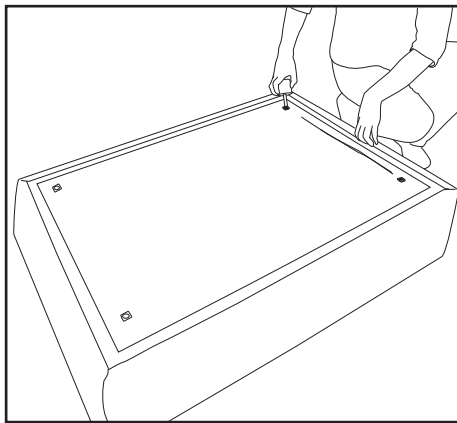
Opening Boxes

DO NOT use a knife to open the King Living boxes as you may damage your furniture. Peel off the tape, then lift & separate the cardboard flaps to open.

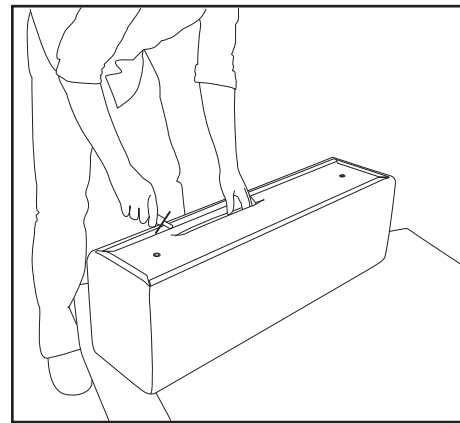
Assemble your furniture by following the steps below.



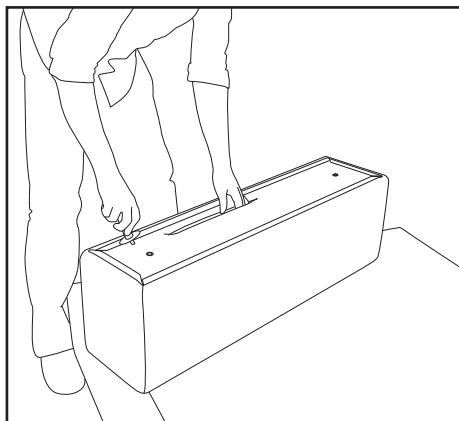
1



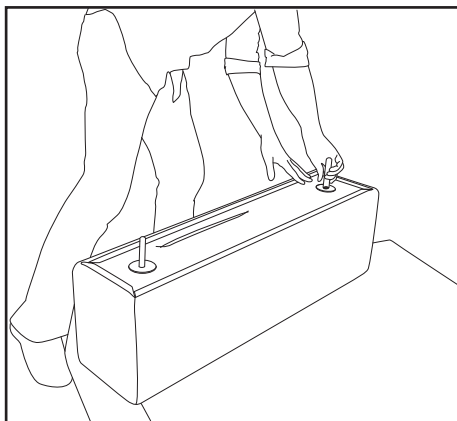
2



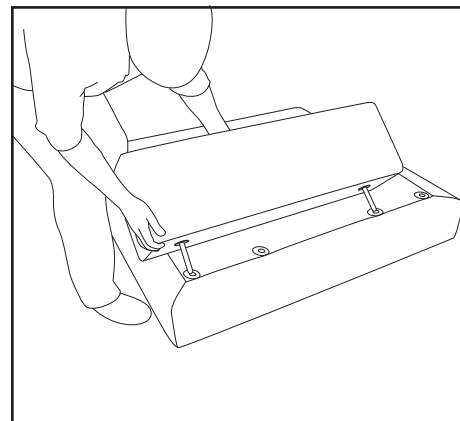
3



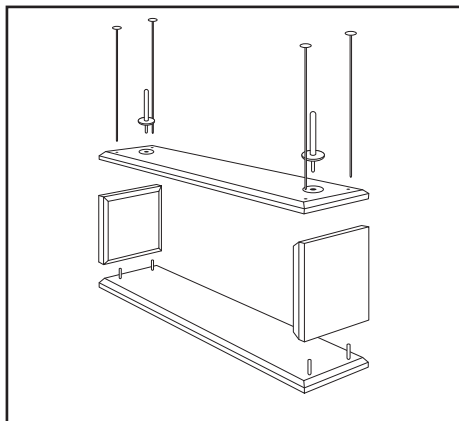
4



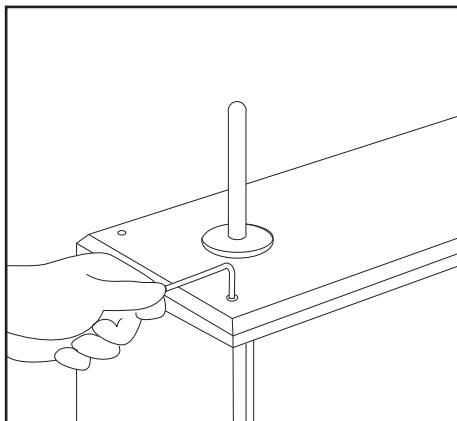
5



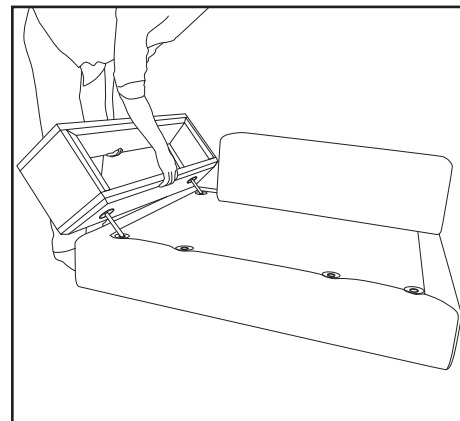
6



7



8



9

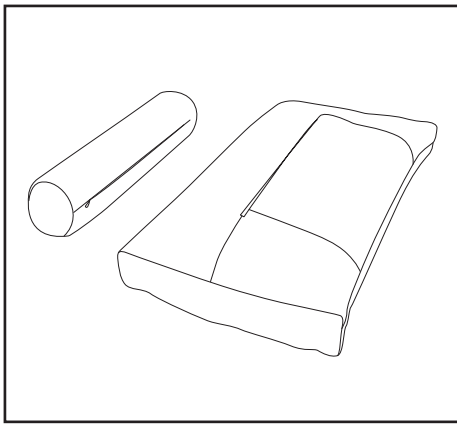
KING LIVING
CUSTOMER CARE:

AUSTRALIA:
T 1300 135 464
E service@kingliving.com.au
W kingliving.com.au

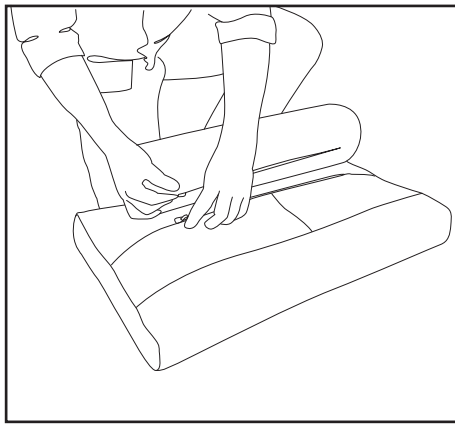
NEW ZEALAND:
T 0800 546 422
E service@kingliving.co.nz
W kingliving.co.nz

SINGAPORE:
T +65 6805 4198
E kingcare@kingliving.com.sg
W kingliving.com.sg

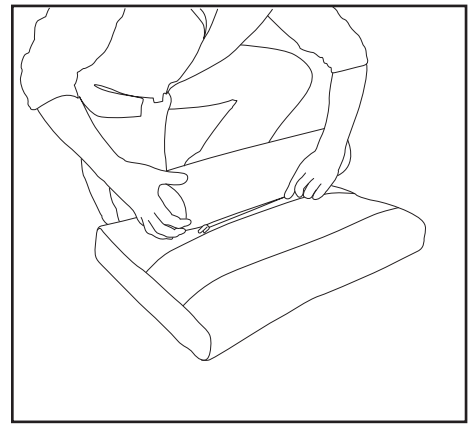
MALAYSIA:
T +603 7732 0272
E service@kingliving.my
W kingliving.my



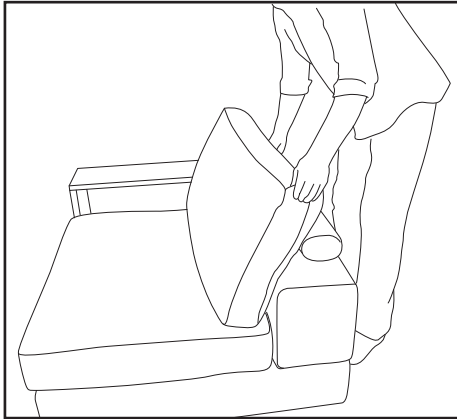
10



11



12



13

**KING LIVING
CUSTOMER CARE:**

AUSTRALIA:
T 1300 135 464
E service@kingliving.com.au
W kingliving.com.au

NEW ZEALAND:
T 0800 546 422
E service@kingliving.co.nz
W kingliving.co.nz

SINGAPORE:
T +65 6805 4198
E kingcare@kingliving.com.sg
W kingliving.com.sg

MALAYSIA:
T +603 7732 0272
E service@kingliving.my
W kingliving.my

Jasper II

Features: Assembly Instructions

KING[®]
L I V I N G

One person is required for safe assembly.

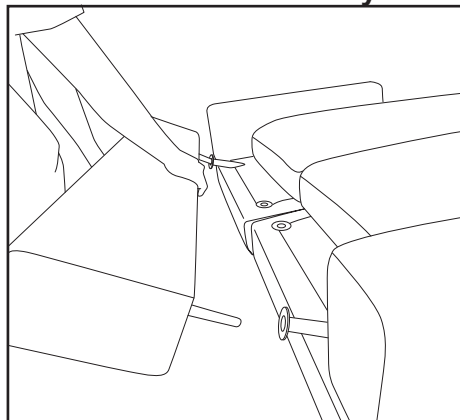
Opening Boxes

DO NOT use a knife to open the King Living boxes as you may damage your furniture.

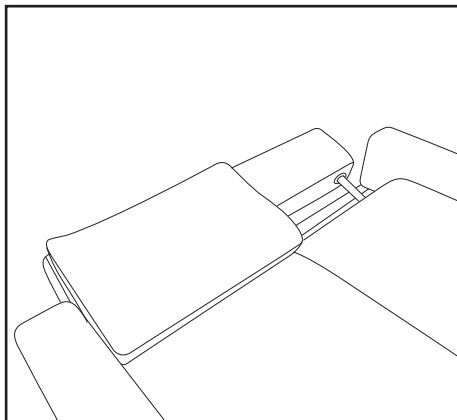
Peel off the tape, then lift & separate the cardboard flaps to open.

Assemble your furniture by following the steps below.

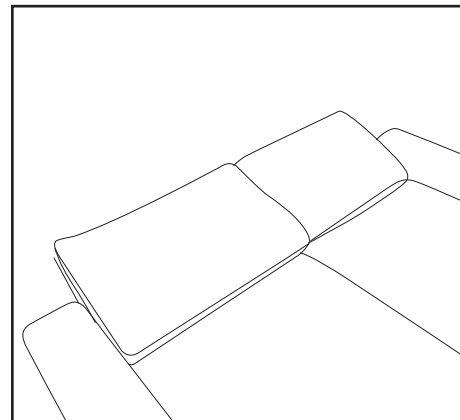
Bed Position Assembly



1

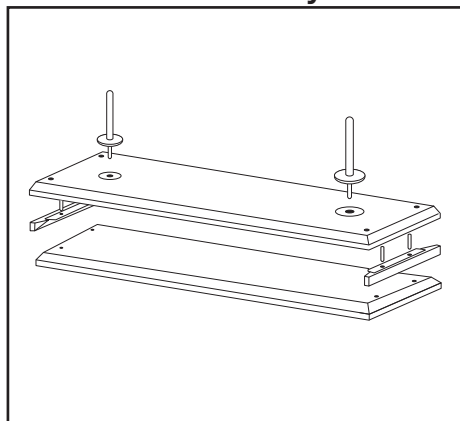


2

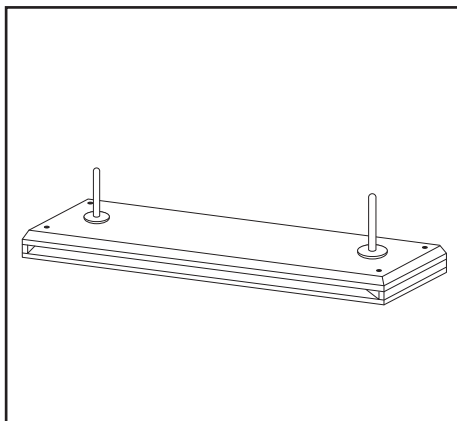


3

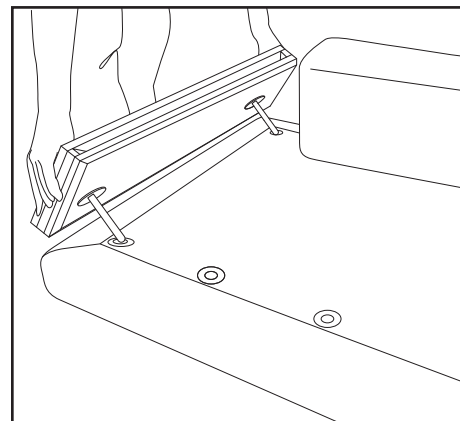
Flat Shelf Assembly



1

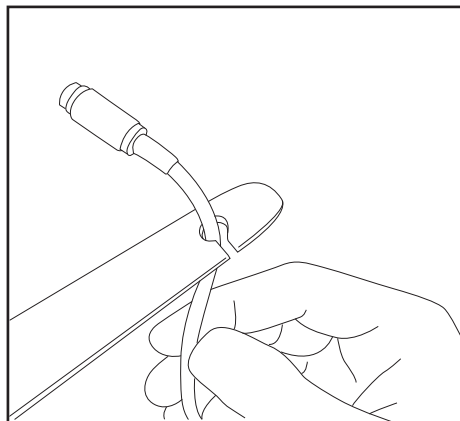


2

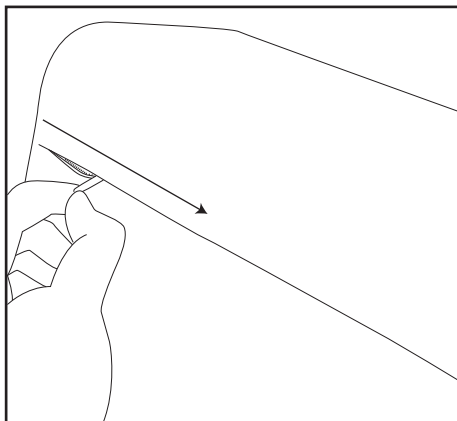


3

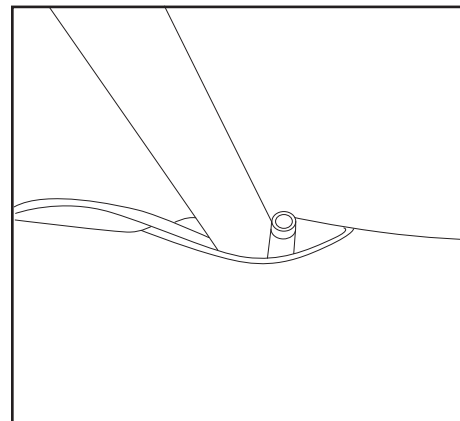
SMART Accessories Assembly



1



2



3

KING LIVING
CUSTOMER CARE:

AUSTRALIA:

T 1300 135 464

E service@kingliving.com.au

W kingliving.com.au

NEW ZEALAND:

T 0800 546 422

E service@kingliving.co.nz

W kingliving.co.nz

SINGAPORE:

T +65 6805 4198

E kingcare@kingliving.com.sg

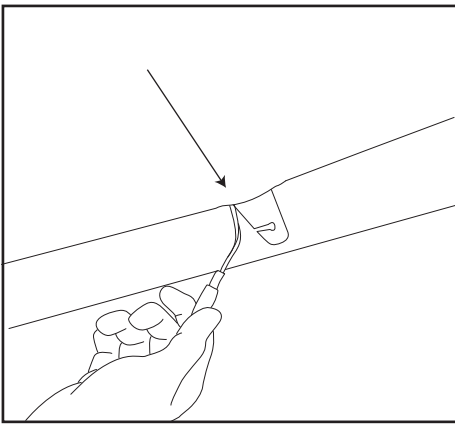
W kingliving.com.sg

MALAYSIA:

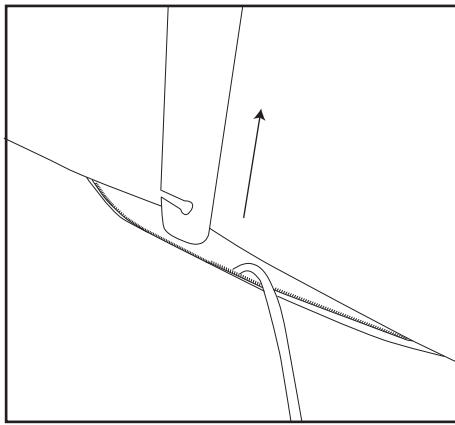
T +603 7732 0272

E service@kingliving.my

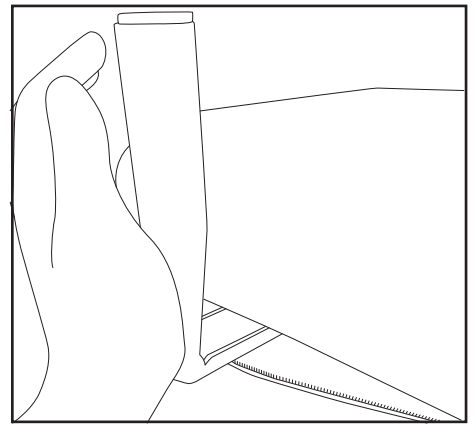
W kingliving.my



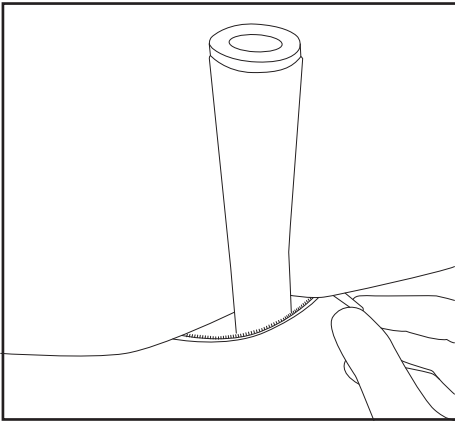
4



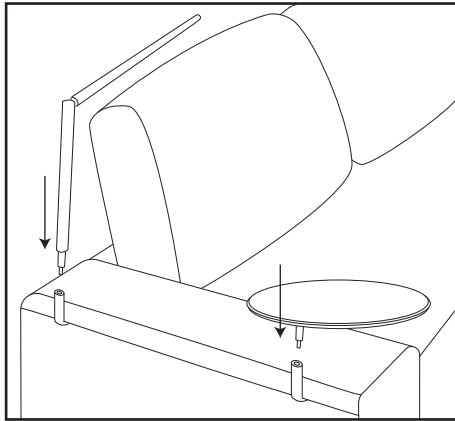
5



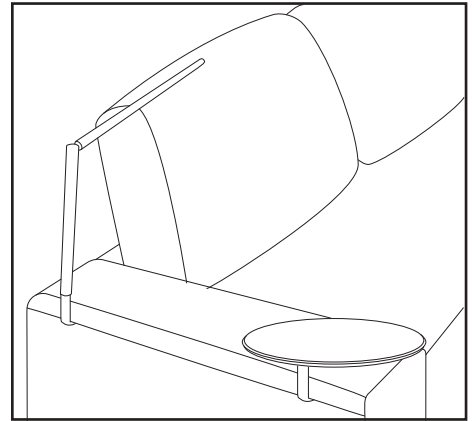
6



7

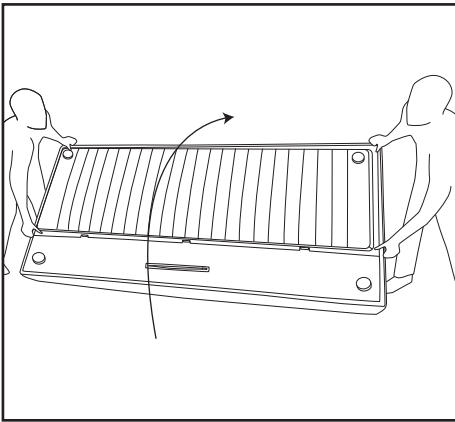


8

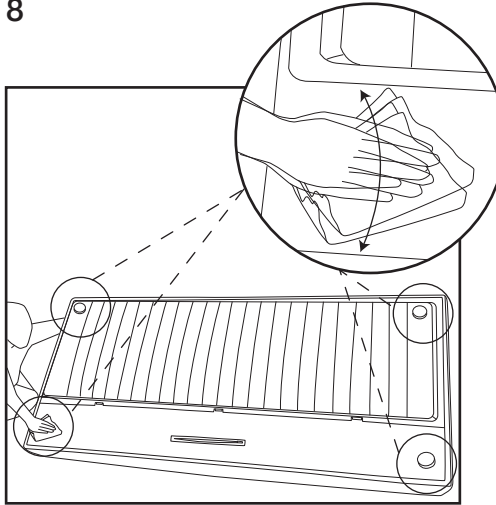


9

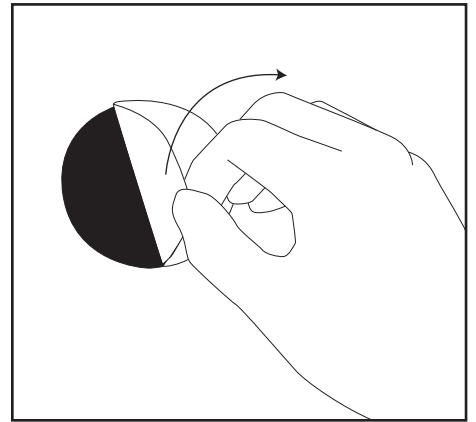
Foot Grip Pads



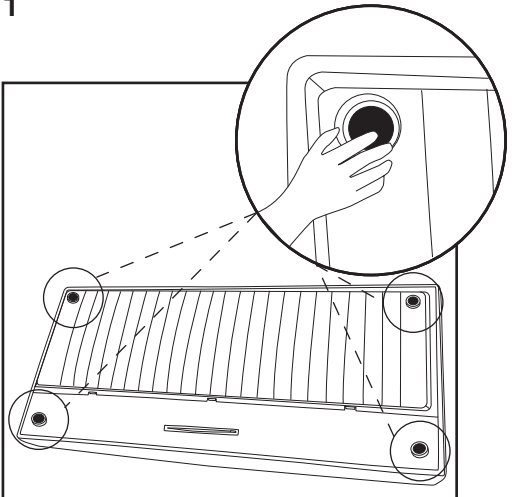
1



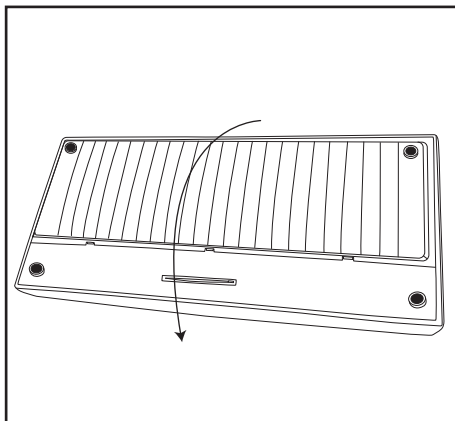
2



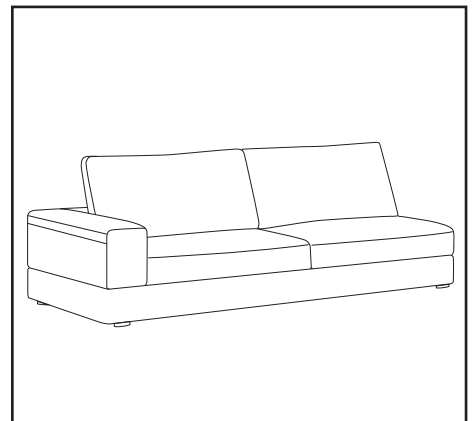
3



4



5



6

KING LIVING
CUSTOMER CARE:

AUSTRALIA:
T 1300 135 464
E service@kingliving.com.au
W kingliving.com.au

NEW ZEALAND:
T 0800 546 422
E service@kingliving.co.nz
W kingliving.co.nz

SINGAPORE:
T +65 6805 4198
E kingcare@kingliving.com.sg
W kingliving.com.sg

MALAYSIA:
T +603 7732 0272
E service@kingliving.my
W kingliving.my

Jasper II

Storage Assembly Instructions



Two people are required for safe assembly.

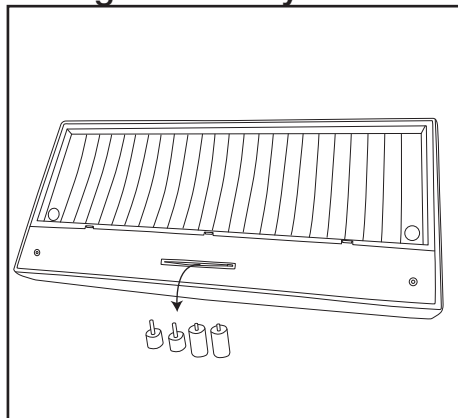
Opening Boxes

DO NOT use a knife to open the King Living boxes as you may damage your furniture.

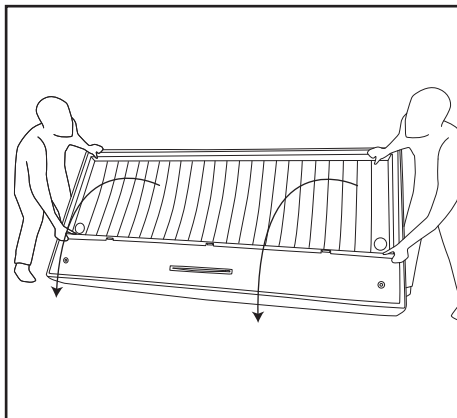
Peel off the tape, then lift & separate the cardboard flaps to open.

Assemble your furniture by following the steps below.

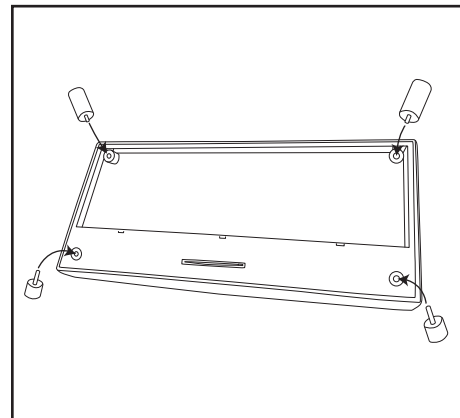
Storage Assembly



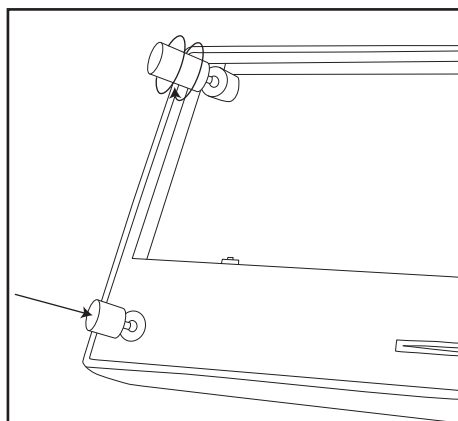
1



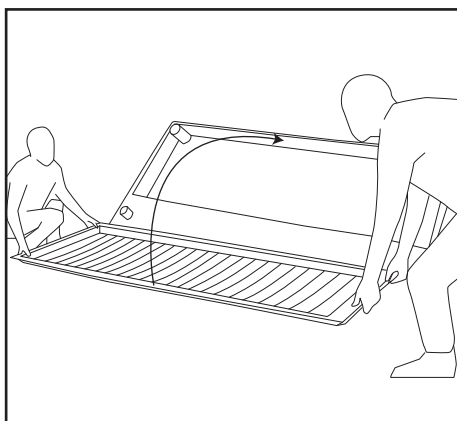
2



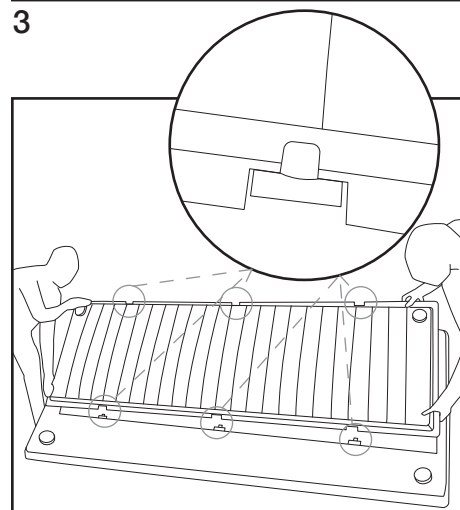
3



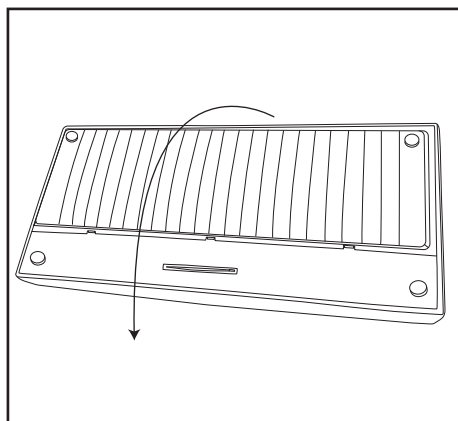
4



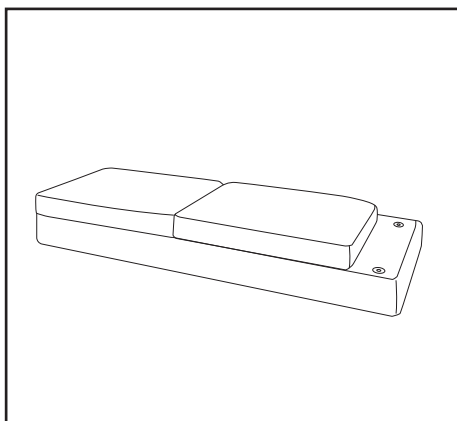
5



6



7



8

KING LIVING
CUSTOMER CARE:

AUSTRALIA:

T 1300 135 464

E service@kingliving.com.au

W kingliving.com.au

NEW ZEALAND:

T 0800 546 422

E service@kingliving.co.nz

W kingliving.co.nz

SINGAPORE:

T +65 6805 4198

E kingcare@kingliving.com.sg

W kingliving.com.sg

MALAYSIA:

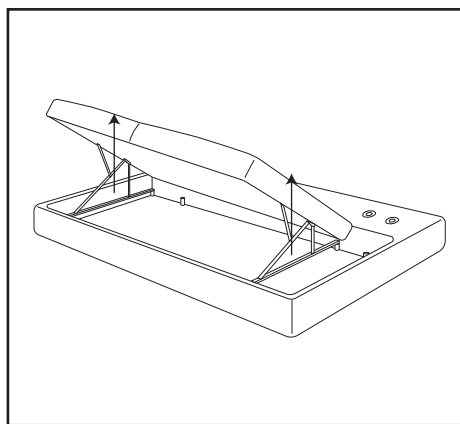
T +603 7732 0272

E service@kingliving.my

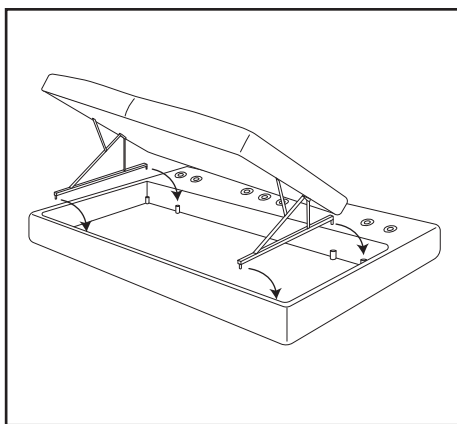
W kingliving.my

Changing Sides: Right-Hand or Left-hand Storage Platforms:

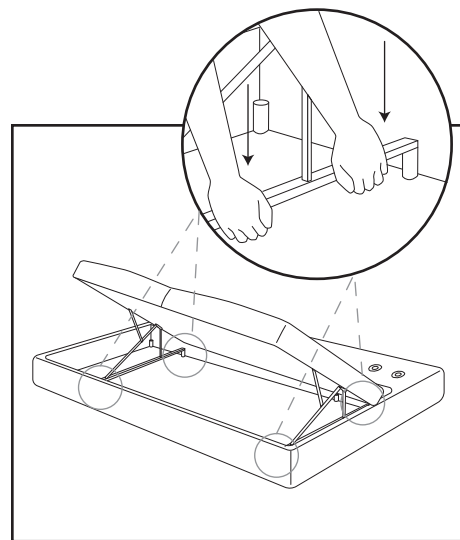
- Remove all arms & backs
- Open Storage
- Follow steps below



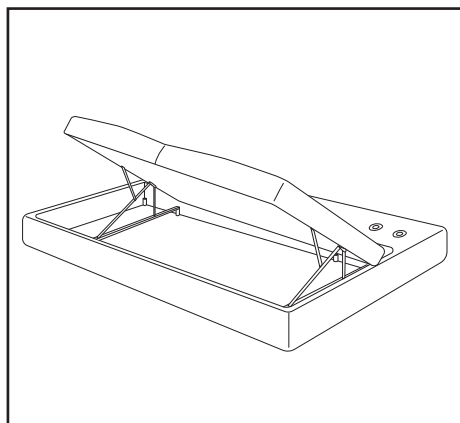
1



2



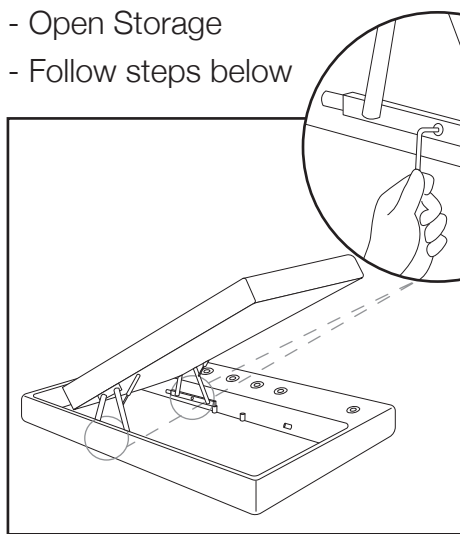
3



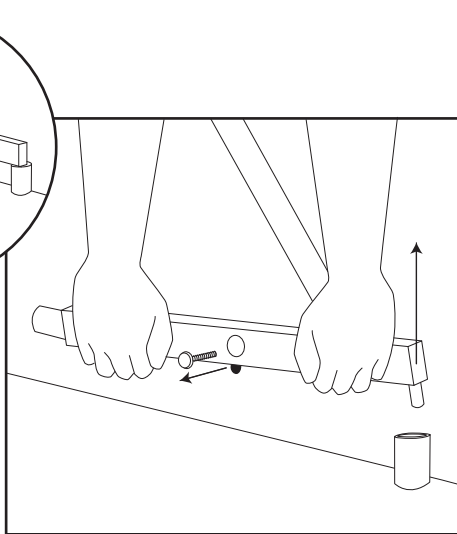
4

Changing Sides: Right-Hand or Left-hand Storage Platforms:

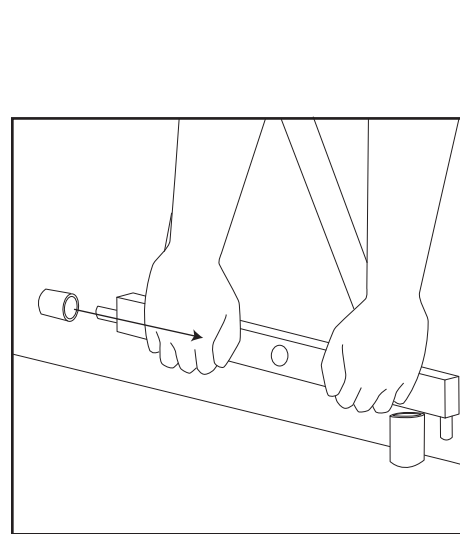
- Remove all arms & backs
- Open Storage
- Follow steps below



1



2



3

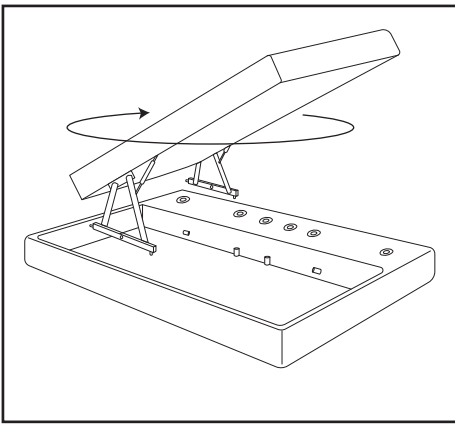
KING LIVING
CUSTOMER CARE:

AUSTRALIA:
T 1300 135 464
E service@kingliving.com.au
W kingliving.com.au

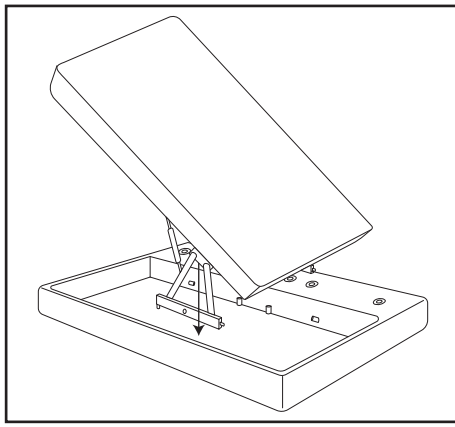
NEW ZEALAND:
T 0800 546 422
E service@kingliving.co.nz
W kingliving.co.nz

SINGAPORE:
T +65 6805 4198
E kingcare@kingliving.com.sg
W kingliving.com.sg

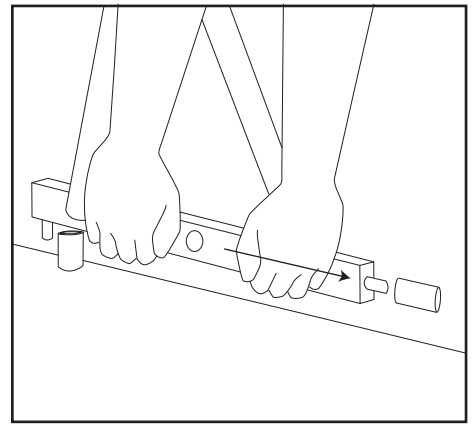
MALAYSIA:
T +603 7732 0272
E service@kingliving.my
W kingliving.my



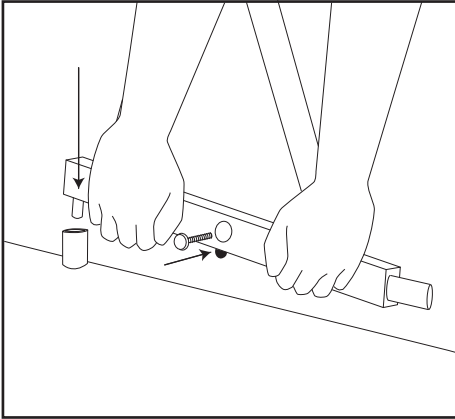
4



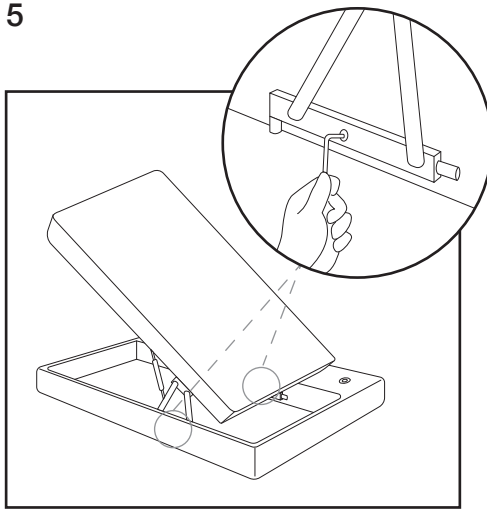
5



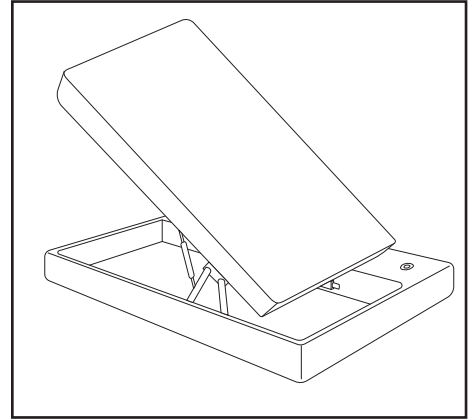
6



7



8



9

**KING LIVING
CUSTOMER CARE:**

AUSTRALIA:
T 1300 135 464
E service@kingliving.com.au
W kingliving.com.au

NEW ZEALAND:
T 0800 546 422
E service@kingliving.co.nz
W kingliving.co.nz

SINGAPORE:
T +65 6805 4198
E kingcare@kingliving.com.sg
W kingliving.com.sg

MALAYSIA:
T +603 7732 0272
E service@kingliving.my
W kingliving.my