

Issho Dining Table Circle 1590 – Open Base Assembly Instructions

KING[®]
L I V I N G

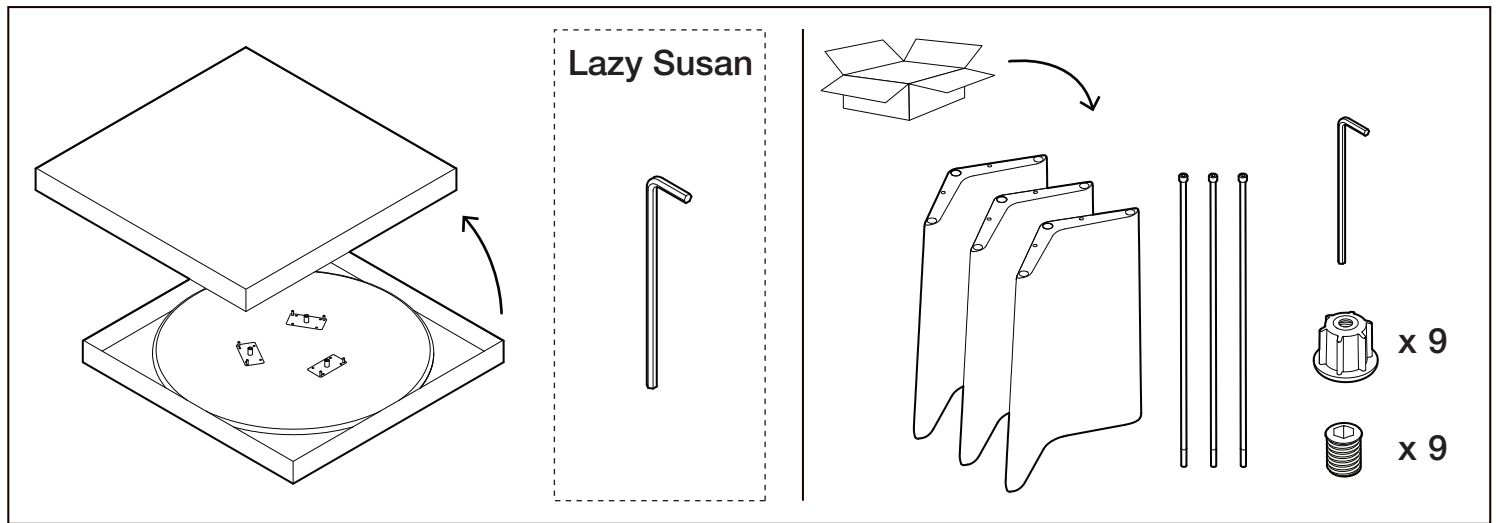
Two people are required for safe assembly.

Opening Boxes

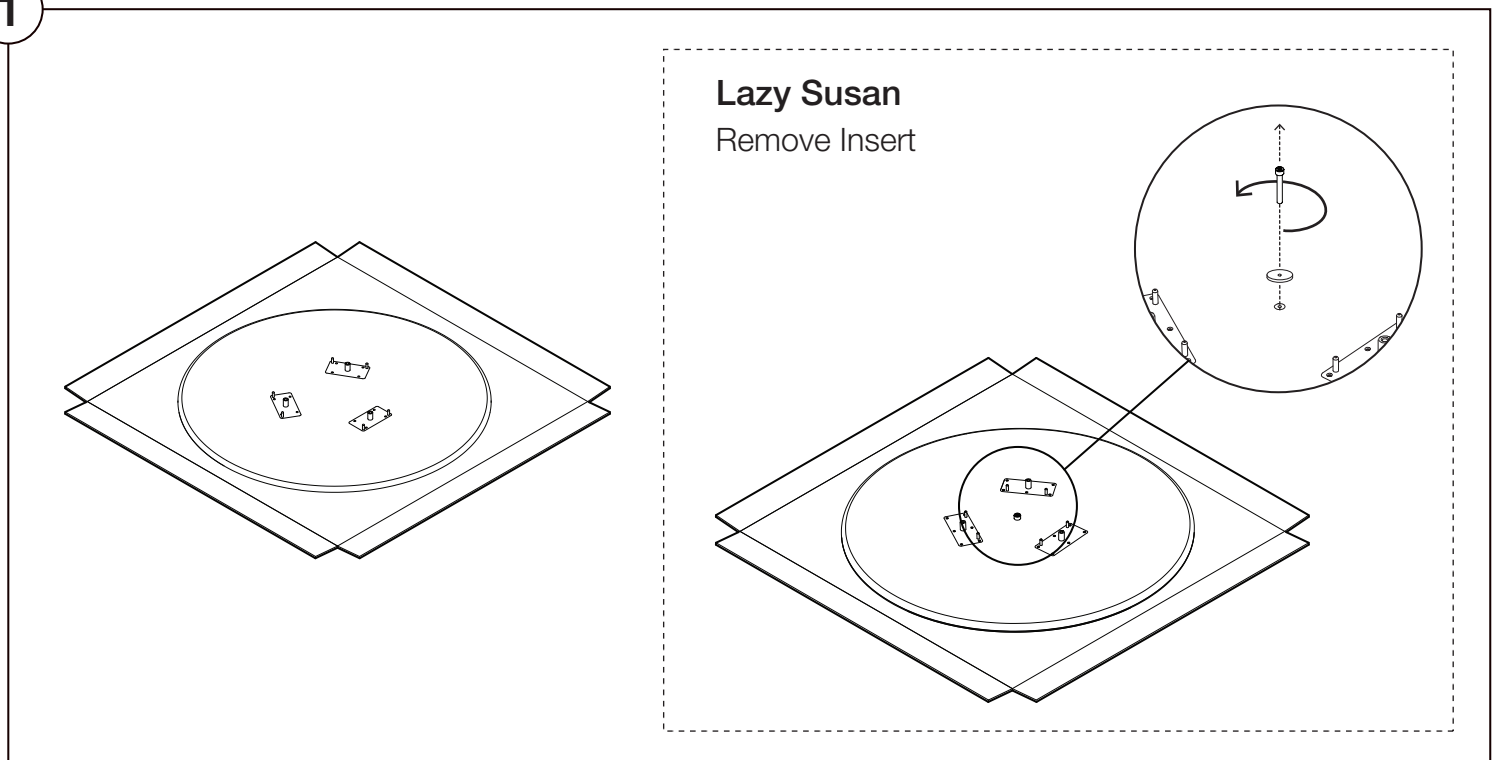
DO NOT use a knife to open the King Living boxes as you may damage your furniture.

Peel off the tape, then lift & separate the cardboard flaps to open.

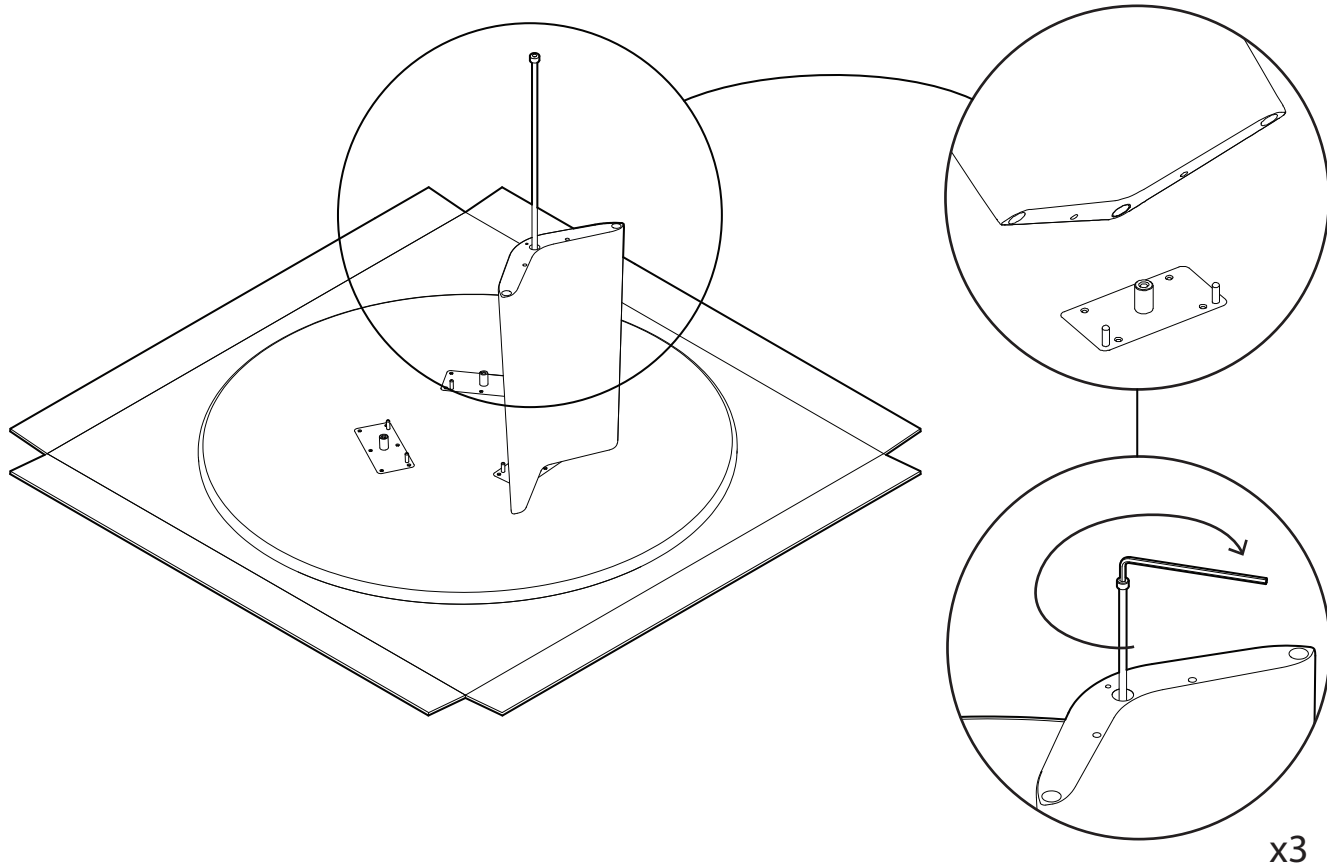
Assemble your furniture by following the steps below.



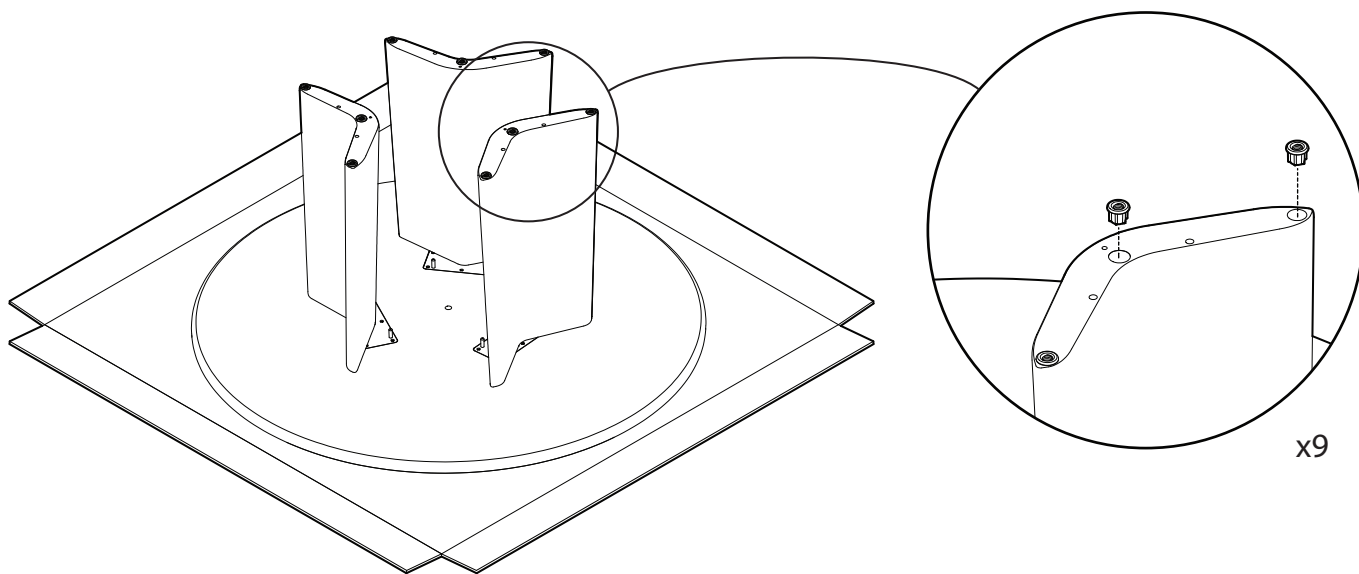
1



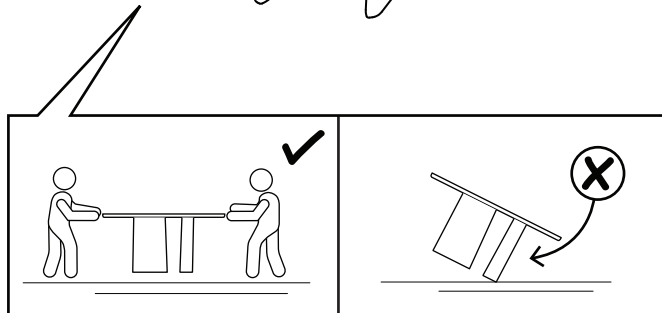
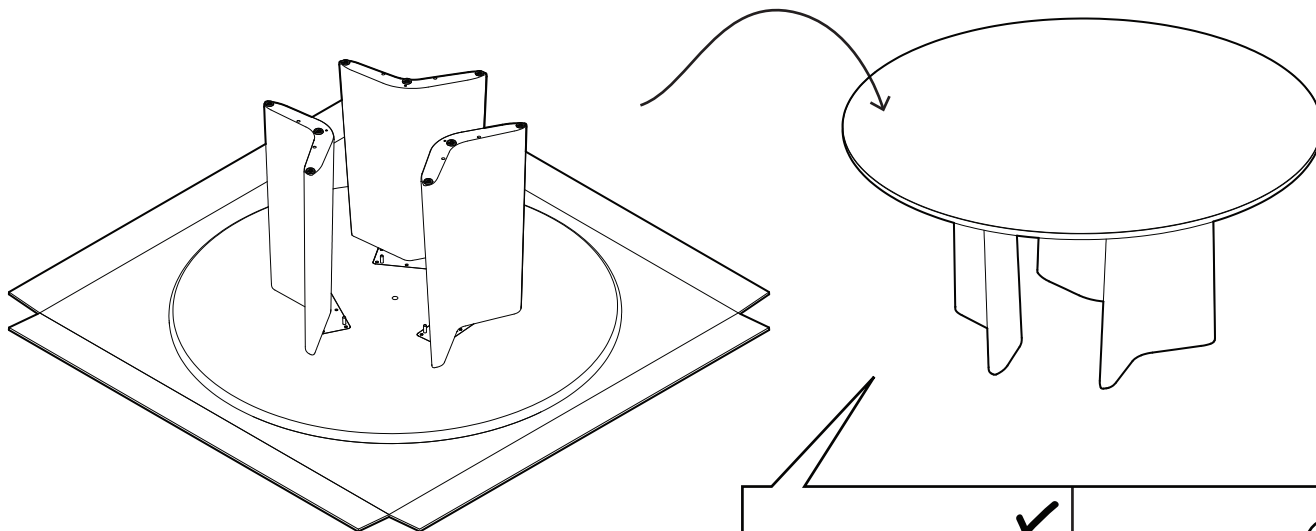
2



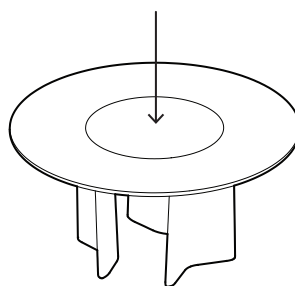
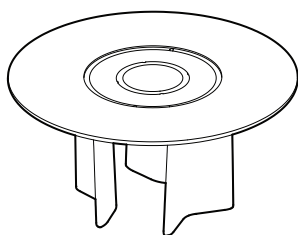
3



4



Lazy Susan
Place Insert



5

Adjustable Footcaps

