

## Fairlight Outdoor Umbrella

### Assembly | User Guide



Two people required for safe assembly

**Opening Boxes:** DO NOT use a knife to open the packaging as you may damage your furniture. Peel-off the tape, then lift and separate the cardboard flaps to open.

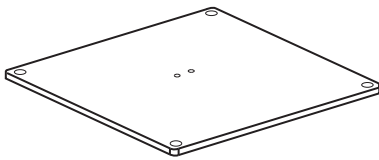
Please follow these Assembly | User Guide Instructions

Product Care

1

#### Components

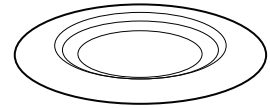
Base Fairlight Umbrella



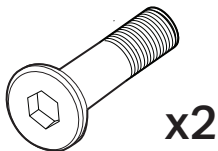
a



b



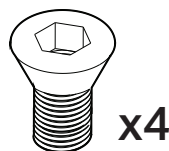
c



x2

d

(M8\*35mm)



x4

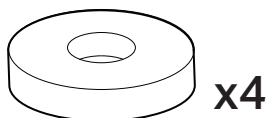
e

(M8\*25mm)



x6

f



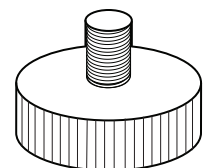
x4

g



x4

h



x4

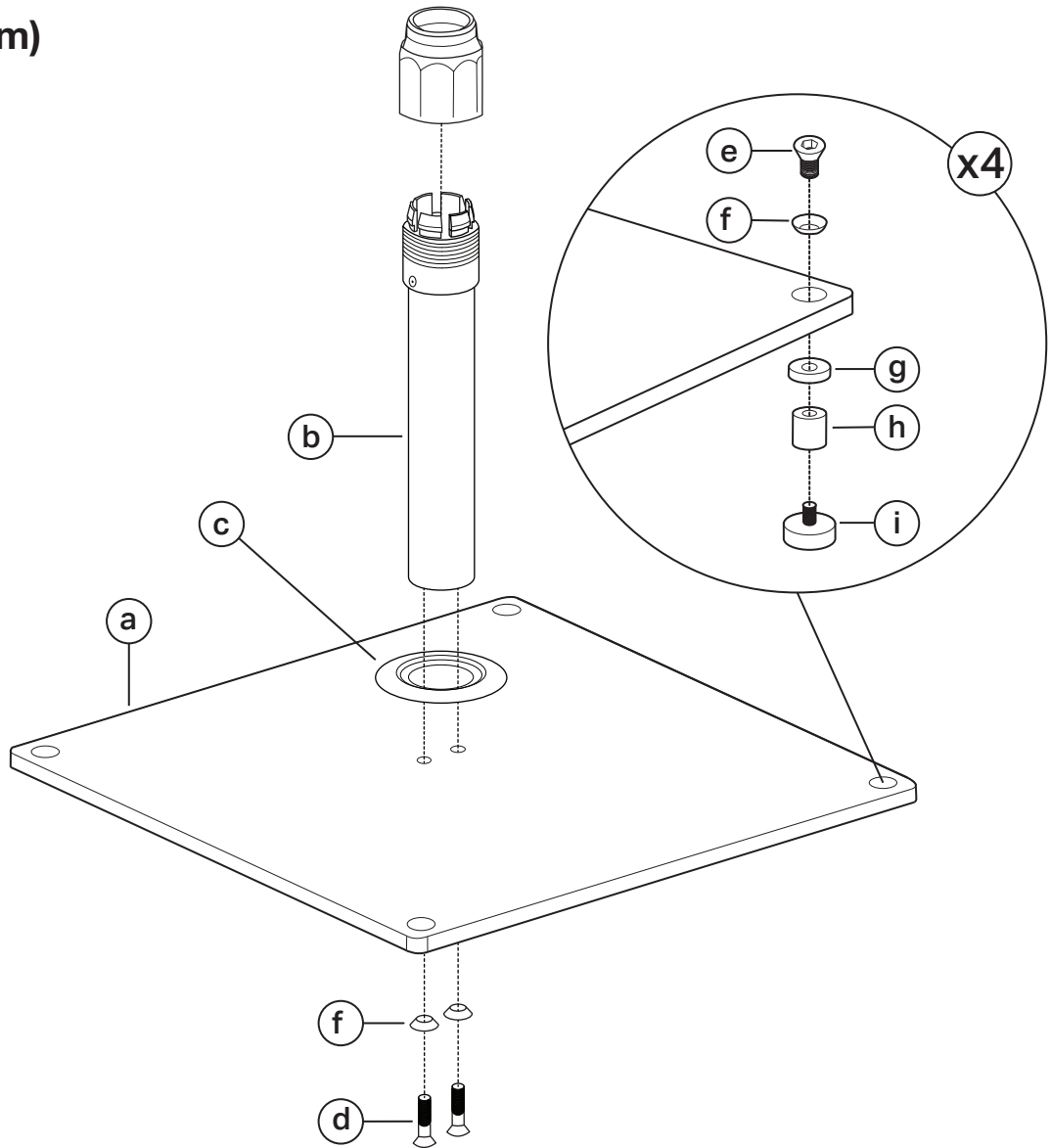
i

1

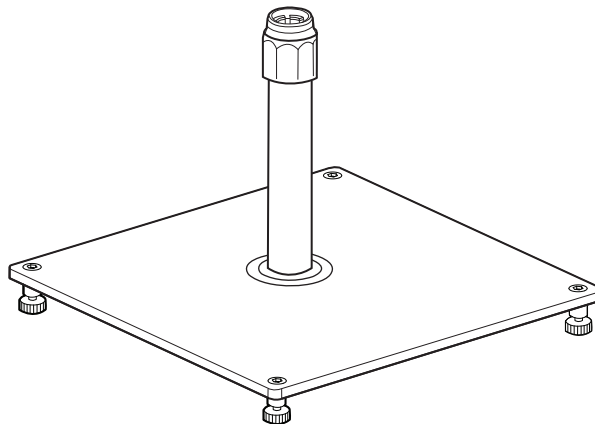
Base Assembly



x1 (5mm)

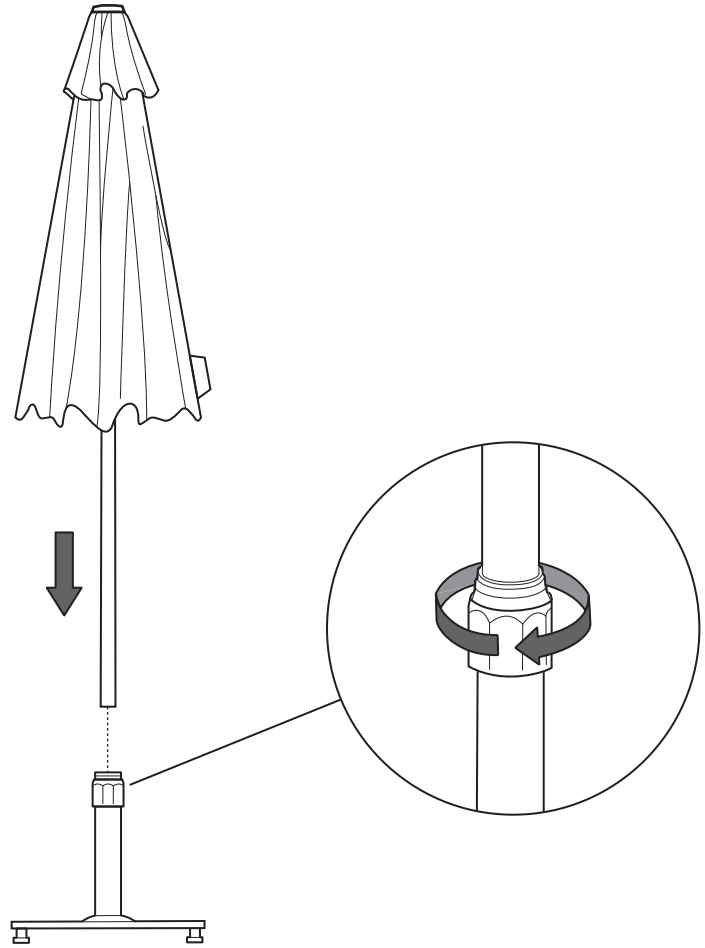


2

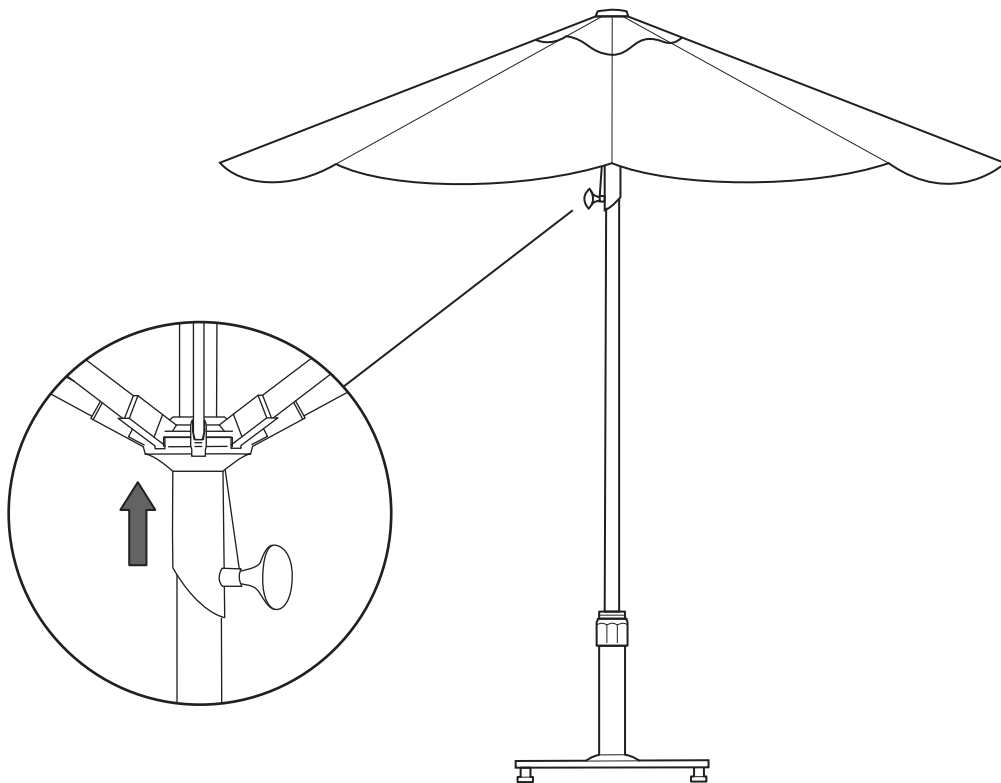


1

### Umbrella Assembly

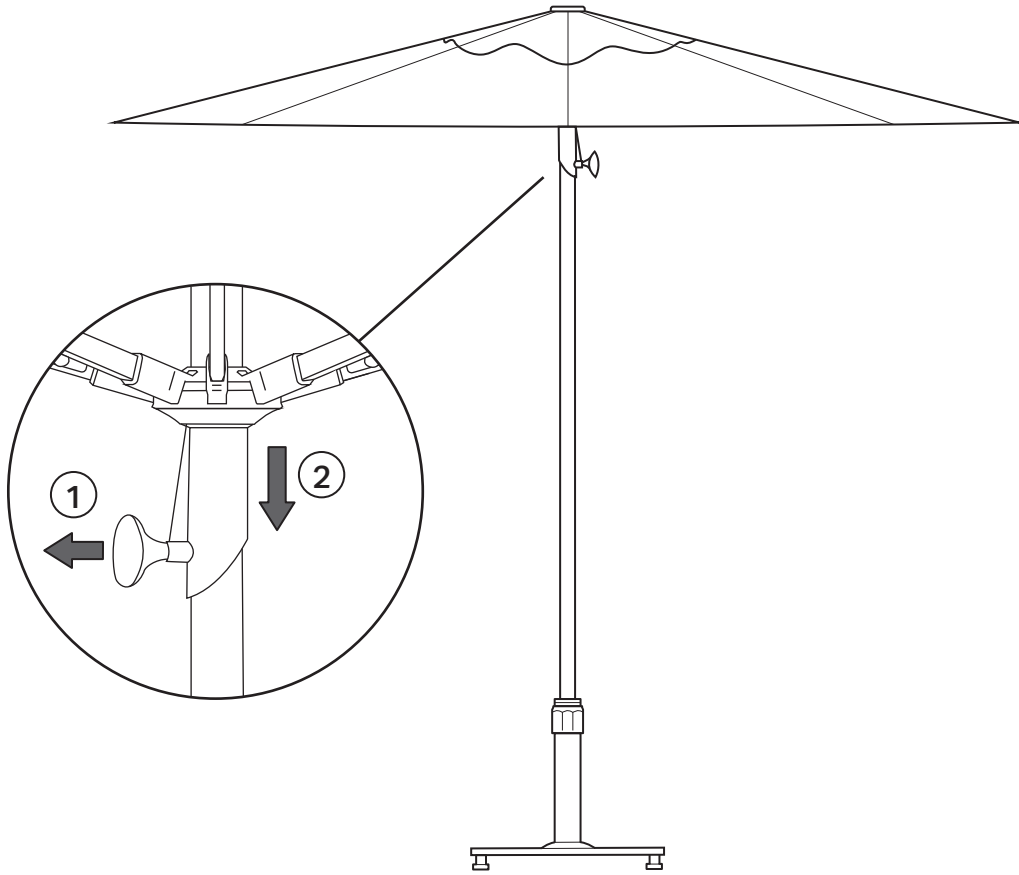


2

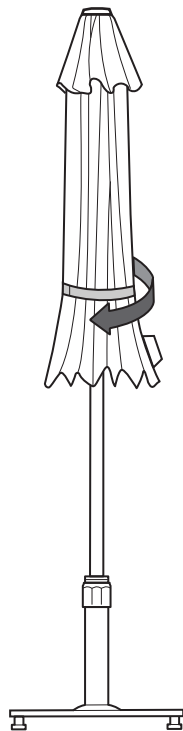


3

### Closing Umbrella

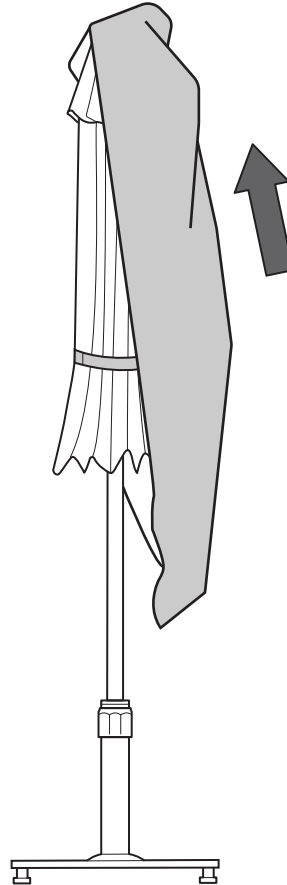


4

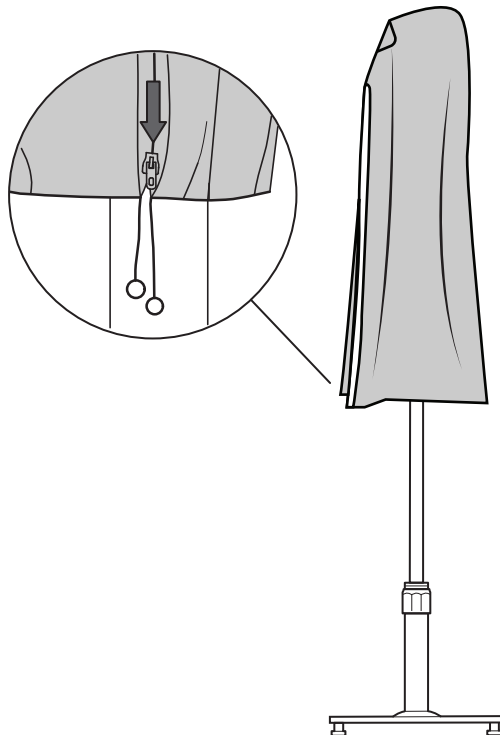


1

WeatherGuard™



2



**WARNING!**  
KEEP UMBRELLA CLOSED  
IN WINDY CONDITIONS  
AND WHEN NOT IN USE.

