

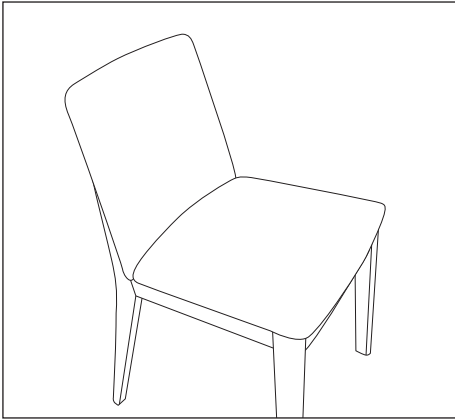
# Aspen Dining Chair

## Disassembly Instructions

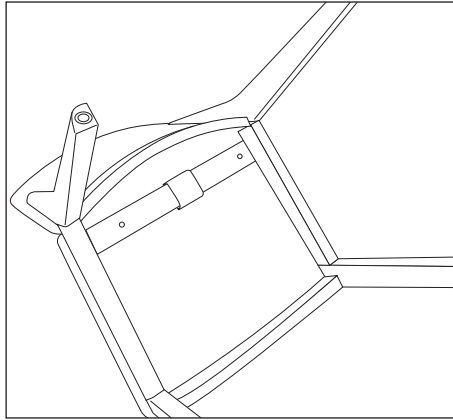
**KING**<sup>®</sup>  
L I V I N G

One person is sufficient for safe disassembly or assembly.

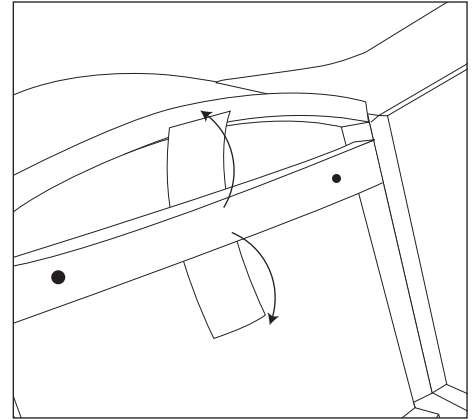
Follow steps 1-12 to disassemble the Aspen Dining Chair. To reassemble follow steps in reverse order. **Please note:** These disassembly instructions apply to the 'back rest' and 'seat' components only to enable reupholstering if desired. The disassembly instructions do NOT apply to the timber frame: **The Aspen chair's timber frame is NOT designed to be disassembled.**



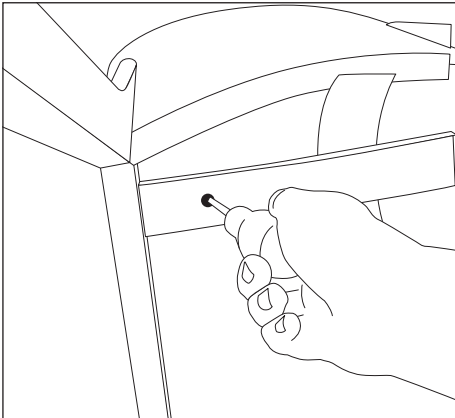
1 An Aspen chair (assembled).



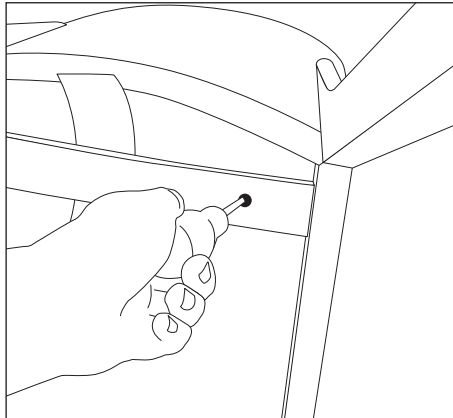
2 Turn the Aspen chair upside down to begin disassembly.



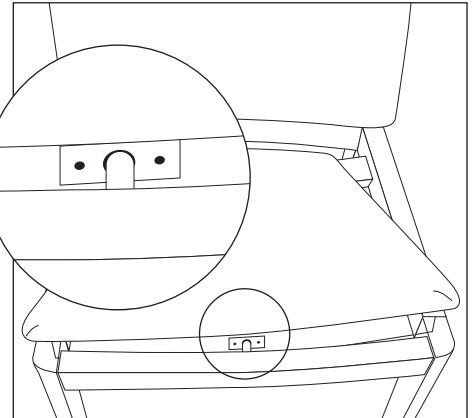
3 Unfasten the Velcro wrapped around the timber frame.



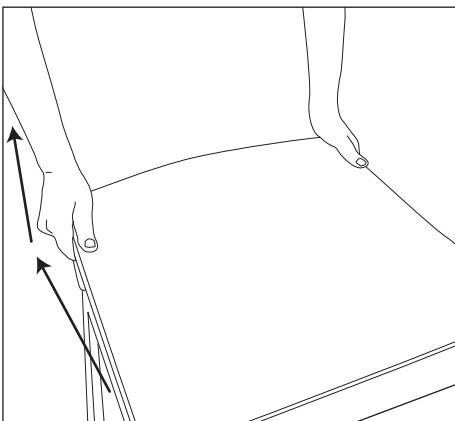
4 There is a screw on either side of the frame which helps secure the seat to the frame. Remove the screws and reserve them for reassembly.



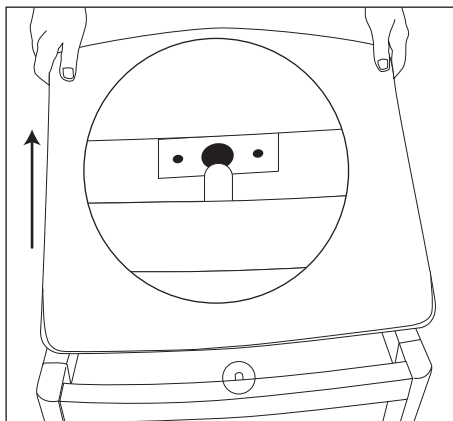
5 Once the screws have been removed follow steps 6-8 to continue separating the seat from the chair frame.



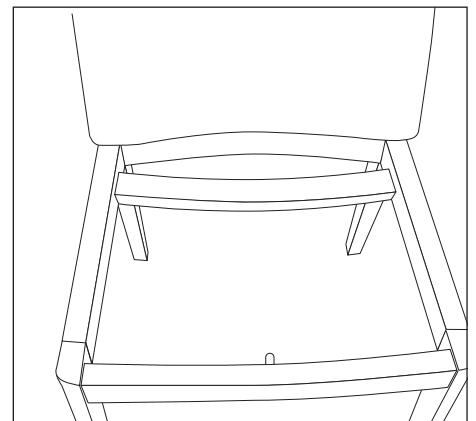
6 A connecting pin inside the chair frame fits into a hole in front of the seat frame securing the two components. Follow steps 7-8 to separate.



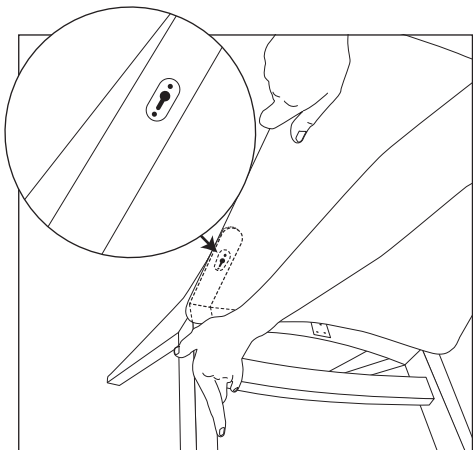
7 Pull the seat backwards firmly and then lift rear of seat upwards to separate the pin from the hole.



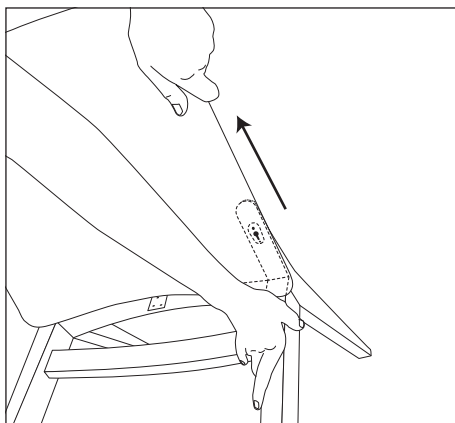
8 Continue pulling upwards until the pin has separated completely from the hole.



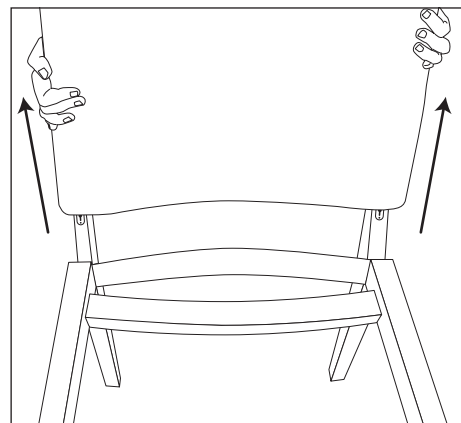
9 Once the seat has been successfully separated from the frame you can begin steps 10-13 to remove the back rest.



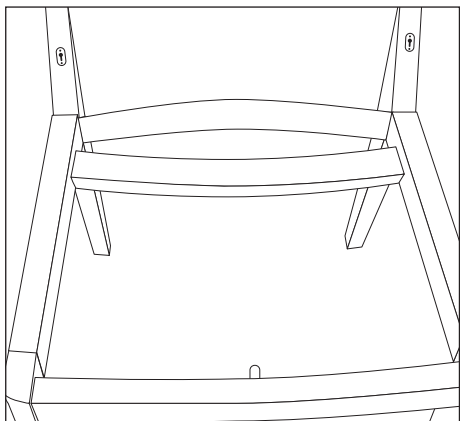
**10** Behind the back rest two protruding screws fit into grooves in the chair frame. Hold the frame and pull the back rest upwards to release first screw.



**11** Repeat on the other side.



**12** When both screws have been released from the grooves, the back rest may be lifted clean away from the chair frame.



**13** Disassembly is now complete. The Aspen's timber frame should not be dismantled - it is NOT designed to be disassembled.

**KING LIVING  
CUSTOMER CARE:**

**AUSTRALIA:**  
T 1300 135 464  
E [service@kingliving.com.au](mailto:service@kingliving.com.au)  
W [kingliving.com.au](http://kingliving.com.au)

**NEW ZEALAND:**  
T 0800 546 422  
E [service@kingliving.co.nz](mailto:service@kingliving.co.nz)  
W [kingliving.co.nz](http://kingliving.co.nz)

**SINGAPORE:**  
T +65 6805 4198  
E [kingcare@kingliving.com.sg](mailto:kingcare@kingliving.com.sg)  
W [kingliving.com.sg](http://kingliving.com.sg)

**MALAYSIA:**  
T +603 7732 0272  
E [service@kingliving.my](mailto:service@kingliving.my)  
W [kingliving.my](http://kingliving.my)