

ReoGrand™ Sofa Bed

Assembly Instructions

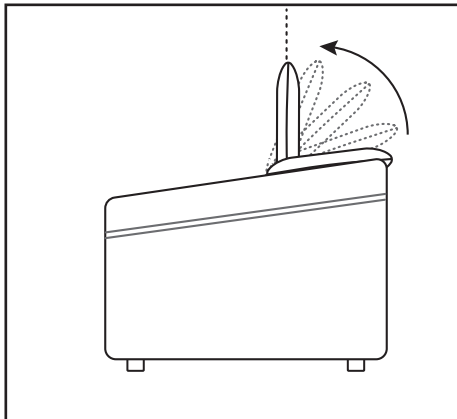


Two people are required for safe assembly.

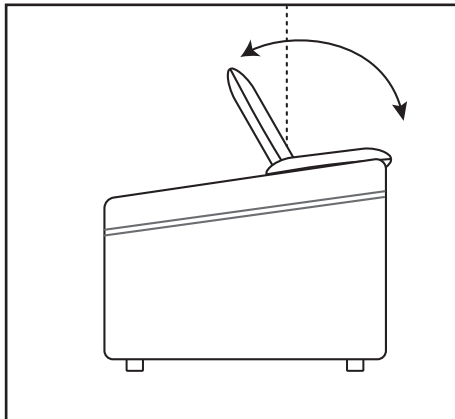
Opening Boxes

DO NOT use a knife to open the King Living boxes as you may damage your furniture. Peel off the tape, then lift & separate the cardboard flaps to open.

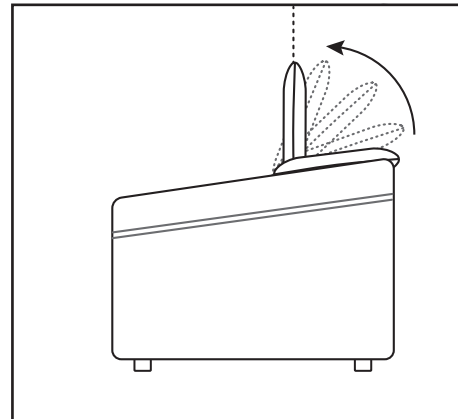
Assemble your furniture by following the steps below.



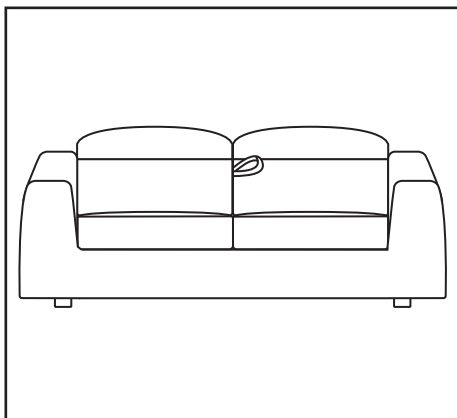
1.



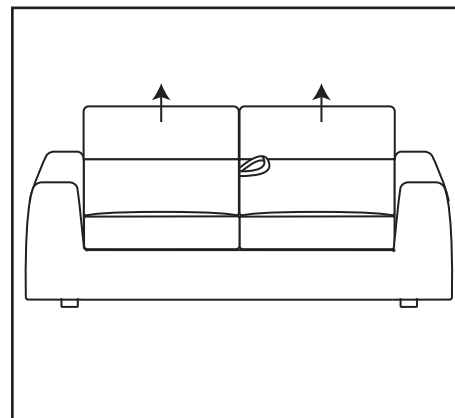
2.



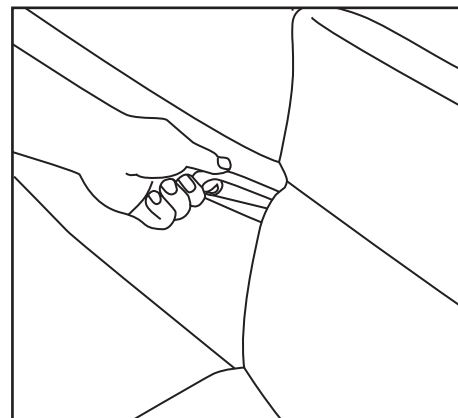
3.



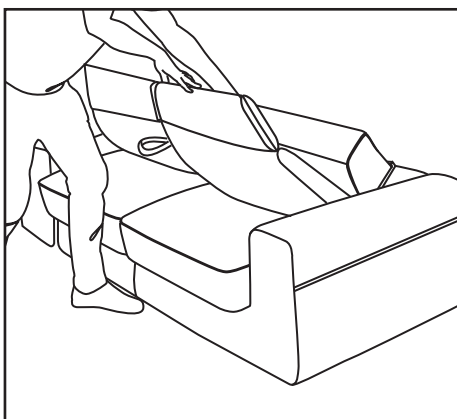
4.



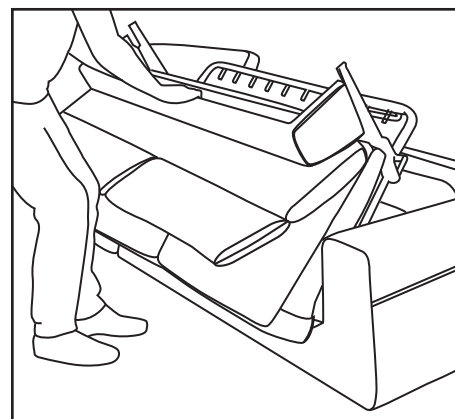
5.



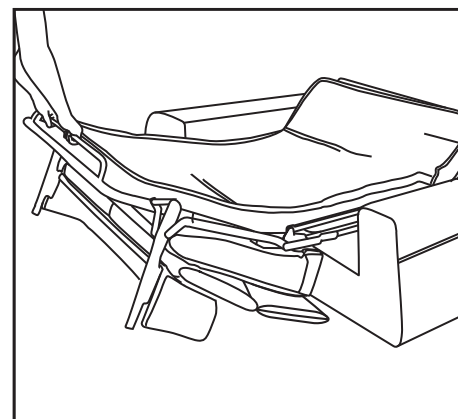
6.



7.



8.



9.

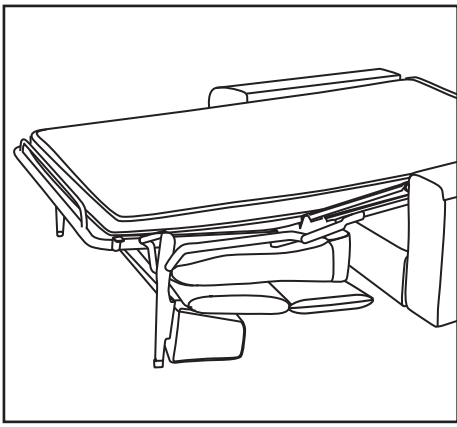
KING LIVING
CUSTOMER CARE:

AUSTRALIA:
T 1300 135 464
E service@kingliving.com.au
W kingliving.com.au

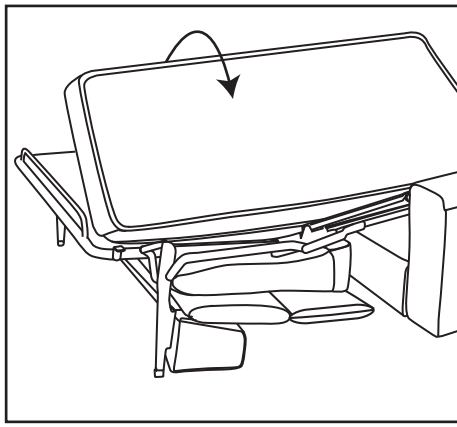
NEW ZEALAND:
T 0800 546 422
E service@kingliving.co.nz
W kingliving.co.nz

SINGAPORE:
T +65 6805 4198
E kingcare@kingliving.com.sg
W kingliving.com.sg

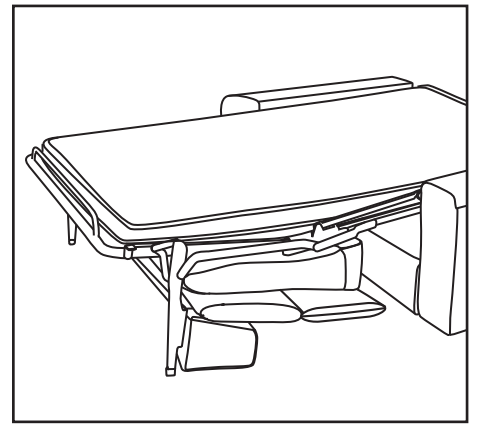
MALAYSIA:
T +603 7732 0272
E service@kingliving.my
W kingliving.my



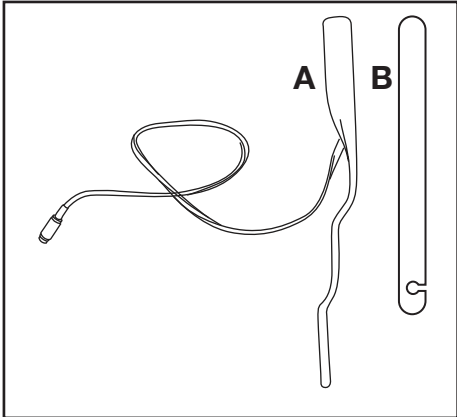
10.



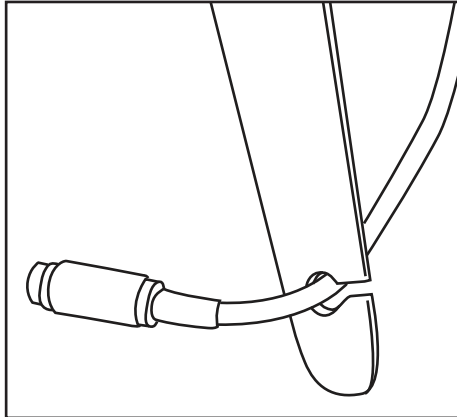
11.



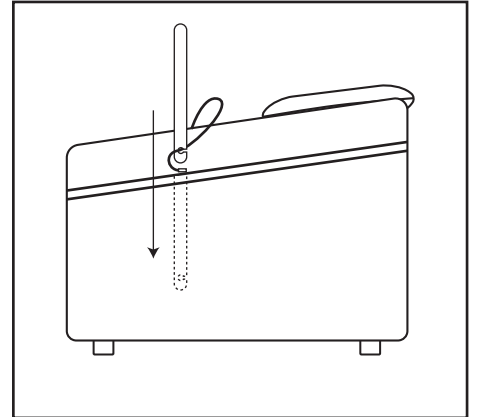
12.



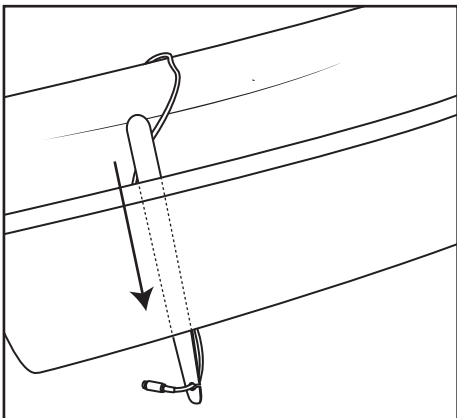
13. Smart Pocket Accessories (Optional):



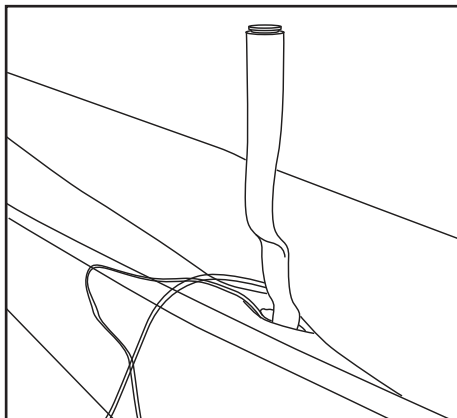
14.



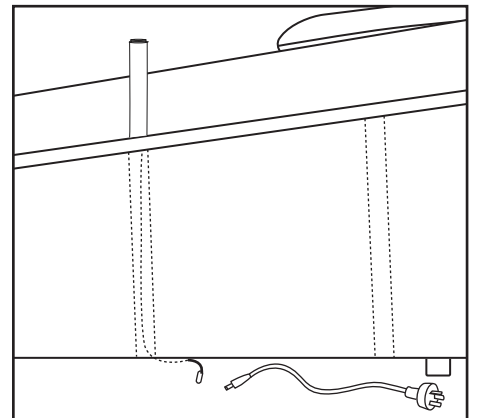
15.



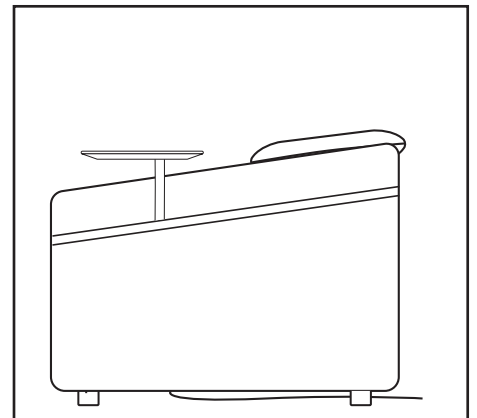
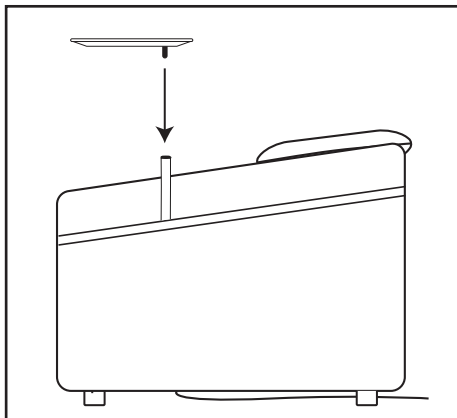
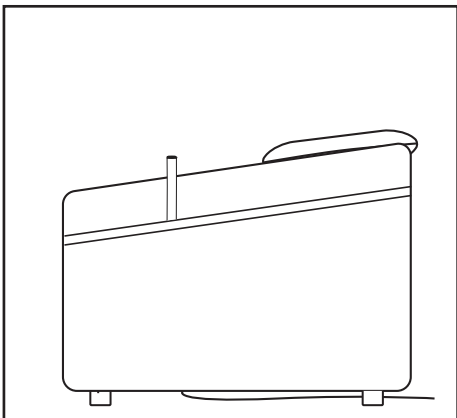
16.



17.



18.



**KING LIVING
CUSTOMER CARE:**

AUSTRALIA:
T 1300 135 464
E service@kingliving.com.au
W kingliving.com.au

NEW ZEALAND:
T 0800 546 422
E service@kingliving.co.nz
W kingliving.co.nz

SINGAPORE:
T +65 6805 4198
E kingcare@kingliving.com.sg
W kingliving.com.sg

MALAYSIA:
T +603 7732 0272
E service@kingliving.my
W kingliving.my